

# INSTALLATION, OPERATING AND SERVICE INSTRUCTIONS FORCE™™ SERIES GAS BOILER



H



9700609



For service or repairs to boiler, call your heating contractor. When seeking information on boiler, provide Boiler Model Number and Serial Number as shown on Rating Label.

Boiler Model Number FORCETEAM0_	Boiler Serial Number	Installation Date
Heating Contractor		Phone Number
Address		





## WARNINGS FOR THE HOMEOWNER

FOLLOW ALL INSTRUCTIONS and warnings printed in this manual and posted on the boiler.

INSPECT THE BOILER ANNUALLY. To keep your boiler safe and efficient, have a service technician follow the Service checklist near the end of this manual.

IF YOU ARE NOT QUALIFIED to install or service boilers, do not install or service this one.

THE BOILER MAY LEAK WATER at the end of its useful life. Be sure to protect walls, carpets, and valuables from water that could leak from the boiler.

PROTECT YOUR HOME IN FREEZING WEATHER. A power outage, safety lockout, or component failure will prevent your boiler from lighting. In winter, your pipes may freeze and cause extensive property damage. Do not leave the heating system unattended during cold weather unless alarms or other safeguards are in place to prevent such damage

DO NOT BLOCK AIR FLOW into or around the boiler. Insufficient air may cause the boiler to produce carbon monoxide or start a fire.

KEEP FLAMMABLE LIQUIDS AWAY from the boiler, including paint, solvents, and gasoline. The boiler may ignite the vapors from the liquids causing explosion or fire.

KEEP CHILDREN AND PETS away from hot surfaces of the boiler, boiler piping, and vent pipe.

CARBON MONOXIDE (CO) is an odorless, deadly gas that may be introduced into your home by any malfunctioning fuel-burning product or vent system failure. Consider installing CO alarms near bedrooms in all levels of the building to warn you and your family of potential CO exposure.



## WARNINGS FOR THE INSTALLER

READ THIS ENTIRE MANUAL before attempting installation, start-up, or service. Improper installation, adjustment, alteration, service, or maintenance may cause serious property damage, personal injury, or death.

DO NOT DISCONNECT PIPE FITTINGS on the boiler or in the heating system without first verifying that the system is cool and free of pressure and that your clothing will protect you from a release of hot water or steam. Do not rely solely on the boiler's temperature and pressure gage when making this judgment.

USE PROPER PERSONAL PROTECTION EQUIPMENT when servicing or working near the boiler. Materials of construction, flue products, and fuel contain alumina, silica, heavy metals, carbon monoxide, nitrogen oxides, and/or other toxic or harmful substances that can be hazardous to health and life and that are known to the State of California to cause cancer, birth defects, and other reproductive harm.

INSTALL ALL GUARDS, cover plates, and enclosures before operating the boiler.

SIZE THE BOILER PROPERLY relative to the design heat load or, if using domestic hot water priority, the peak hot water load, whichever is larger. A grossly oversized boiler will cycle excessively and this will lead to premature failure of the boiler and its components. Our warranty does not apply to damage from excessive cycling.

ADHERE TO ALL LOCAL CODE REQUIREMENTS. Contact your local code inspector prior to installation. In the absence of a local code, adhere to the *National Fuel Gas Code* ANSI Z223.1/NFPA 54.

ALL WIRING must comply with the *National Electrical Code* ANSI/NFPA 70.

TABLE OF CONTENTS	
I. Product Description.....	4
II. Specifications.....	5
III. Pre-Installation.....	6
IV. Locating the Boiler.....	6
V. Air for Combustion & Ventilation.....	7
VI. Venting.....	8
VII. Gas Piping.....	10
VIII. System Piping.....	11
IX. Indirect Water Heater Piping.....	14
X. Electrical.....	15
XI. System Start-Up.....	20
XII. Service Instructions.....	25
XIII. Troubleshooting.....	29
XIV. Repair Parts.....	33
Appendix A - Tapping Locations.....	44

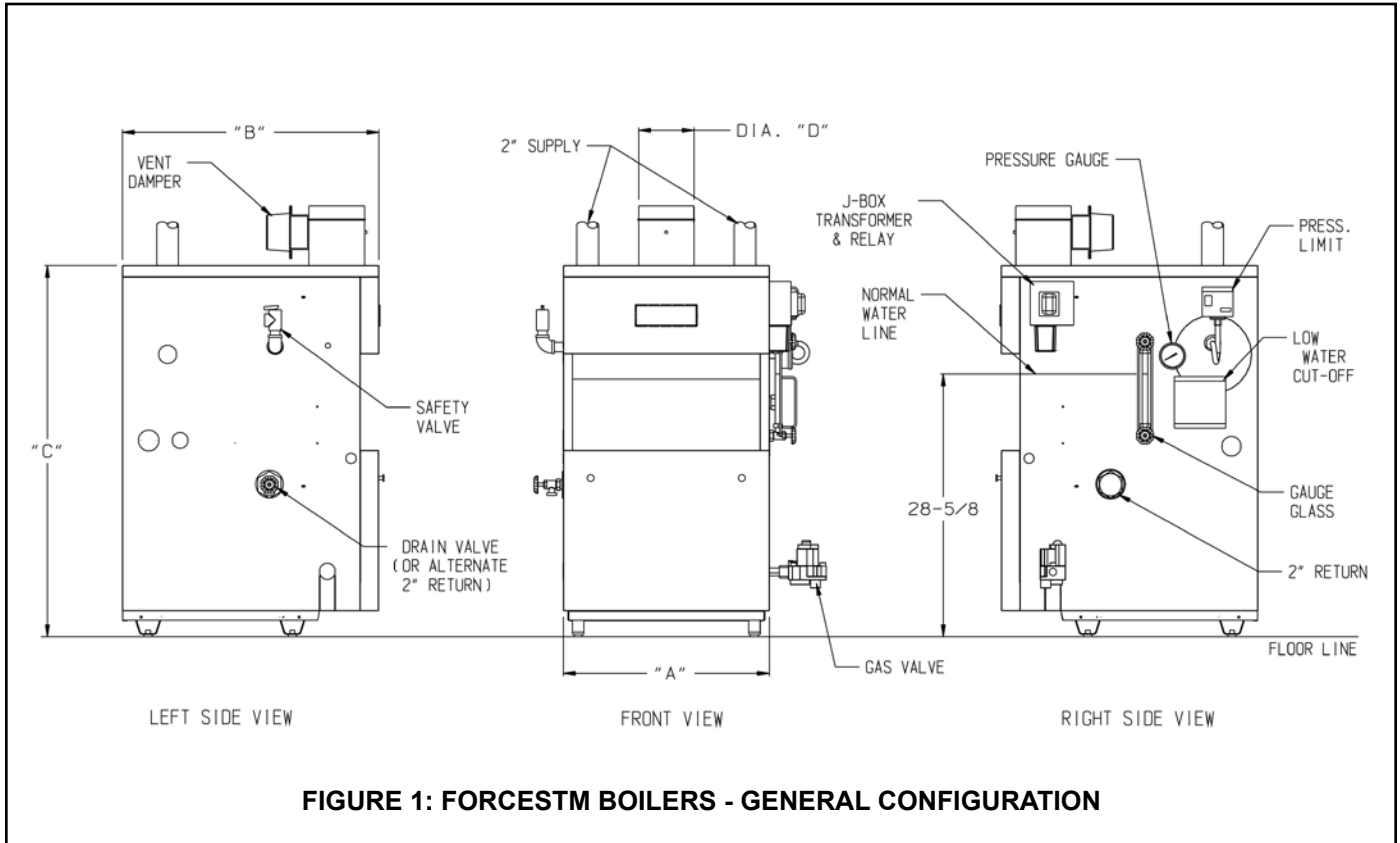
---

## I. Product Description

---

The FORCESTM series boilers are low pressure cast iron gas fired steam boilers designed for use in closed steam heating systems. These boilers are Category I draft diverter equipped appliances, which must be vented by natural draft using a lined masonry or listed metal chimney system. An adequate supply of air for combustion, ventilation and dilution of flue gases must be available in the boiler room. These boilers are not designed for use in process or other “open” steam systems

## II. Specifications



**TABLE 1: FORCESTM SPECIFICATIONS**

Boiler Model	Approx. Shipping Weight Lbs.	Dimensions (in inches)				Recommended Min. Round Chimney Size (Diameter x Height) (1)	Gas Conn. (NPT)	Water Volume (Gal.)	
		'A'	'B'	'C'	'D'			Steam Boiler	(2)
FORCESTM03	350	12 <sup>3</sup> / <sub>4</sub>	28	40-7/16	4	4" x 15 ft.	1/2"	5.1	3.9
FORCESTM04	420	16			5	5" x 15 ft.		6.5	5.0
FORCESTM05	485	19 <sup>1</sup> / <sub>4</sub>			6	6" x 15 ft.		7.9	6.1
FORCESTM06	555	22 <sup>1</sup> / <sub>2</sub>			9.3	7.2			
FORCESTM07	620	25 <sup>3</sup> / <sub>4</sub>	30		7	7" x 15 ft.	3/4"	10.7	8.3
FORCESTM08	690	29			12.1	9.4			

(1) 15' chimney height is from bottom of Draft Hood opening to top of Chimney.

(2) Steam boiler's "steamable water volume": water volume from NWL (normal water level) to low water cutoff level.

Heating Surface: 4.35 sq. ft. per flueway (steam); 5.72 sq. ft. per flueway (water)

---

## I. Pre-Installation

---

- 1) Safe, reliable operation of this boiler depends upon installation by a professional heating contractor in strict accordance with this manual and the requirements of the authority having jurisdiction.
  - In the absence of an authority having jurisdiction, installation must be in accordance with this manual and the *National Fuel Gas Code*, ANSI Z223.1/NFPA 54.
  - Where required by the authority having jurisdiction, this installation must conform to the *Standard for Controls and Safety Devices for Automatically Fired Boilers* (ANSI/ASME CSD-1).

**Warning**

**This Product Must be Installed By A Licensed Plumber Or Gas Fitter  
when Installed Within The Commonwealth Of Massachusetts**

- 2) Make sure that a properly sized chimney is available which is in good condition. Consult the authority having jurisdiction, Part VI of this manual, and the *National Fuel Gas Code* for additional information on venting requirements.
- 3) Make sure that the boiler is correctly sized. Use an industry accepted sizing method such as the *I=B=R Installation Guide for Residential Hydronic Heating Systems* (Pub. #200) and *I=B=R Heat Loss Calculation Guide* (Pub. #H21 or #H22).
- 4) Make sure that the boiler received is configured for natural gas.
- 5) Gas Conversion Kits are listed below:

	FORCESTM03	FORCESTM04	FORCESTM05	FORCESTM06	FORCESTM07	FORCESTM09
Natural to LP (Propane)	106567-01	106567-02	106567-02	106567-03	106567-04	106567-04
LP (Propane) to Natural	106568-01	106568-02	106568-02	106568-03	106568-04	106568-04

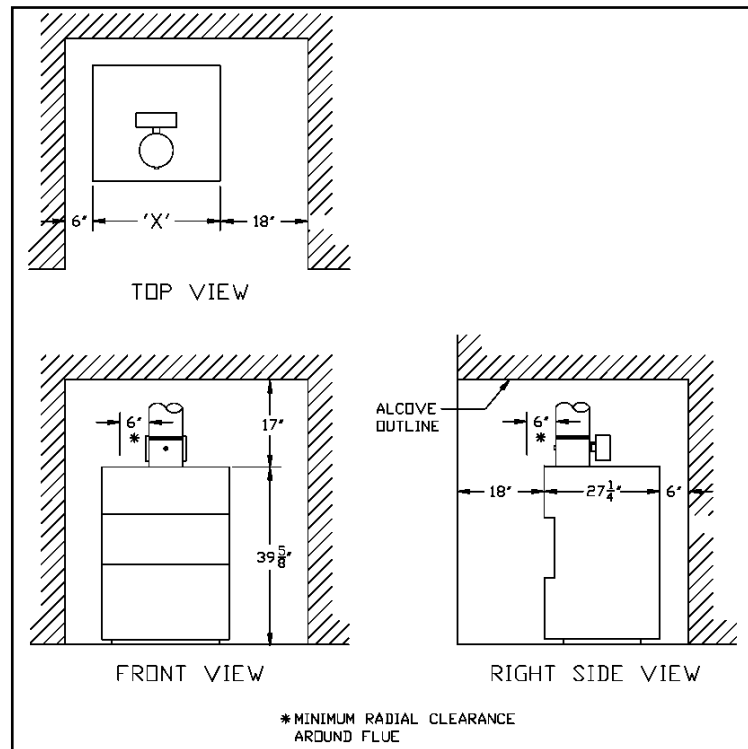
---

## IV. Locating the Boiler

---

- 1) Clearances:
  - Observe the minimum clearances shown below. These clearances apply to all combustible construction, as well as noncombustible walls, ceilings and doors. Also see Figure 2.
    - Front – 18”
    - Right Side – 18”
    - Left Side – 6”
    - Rear – 6”
    - Top – 17”
  - A 24” service clearance from the jacket is recommended on the left, right, and front of the boiler. These clearances may be reduced to those shown in Figure 2, however servicing the boiler will become increasingly difficult as these service clearances are reduced.
  - If the right side 24” service clearance is reduced, adequate clearance must be maintained to easily read and access the controls. Alternatively, access may be provided using a door
- 2) This boiler may be installed directly over a non-carpeted combustible floor.

## IV. Locating the Boiler (continued)



**FIGURE 2: FORCESTM BOILERS - CLEARANCES TO ALL TYPES OF COMBUSTIBLE CONSTRUCTION AND NONCOMBUSTIBLE CEILINGS, WALLS, AND DOORS.**

- 3) The boiler must be installed on a hard level surface.
- 4) Do not install this boiler in a location where gasoline or other flammable vapors or liquids will be stored or used. Do not install this boiler in an area where large amounts of airborne dust will be present, such as a workshop.
- 5) The boiler should be located as close to the chimney as possible.
- 6) Do not install this boiler directly on a surface that may get wet. Raise the boiler on a pad.

---

## V. Air for Combustion & Ventilation

---

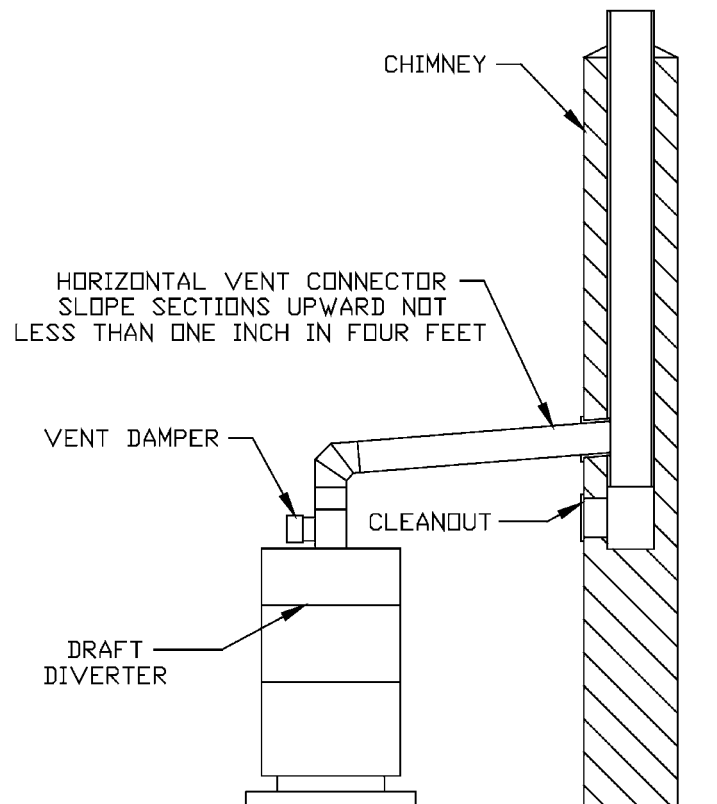
Sufficient fresh air must be supplied for combustion, ventilation and flue gas dilution. Provisions for combustion, ventilation and flue gas dilution air for gas utilization equipment vented by natural draft must be made in accordance with local building codes or, in absence of such codes, in accordance with "Air for Combustion and Ventilation" of the *National Fuel Gas Code*, ANSI Z223.1/ NFPA 54.

## VI. Venting

Vent installation must be in accordance with local building codes, or the local authority having jurisdiction, or the *National Fuel Gas Code*, ANSI Z223.1/NFPA 54.

1. A typical vent installation is illustrated by Figure 3. The components of vent installation are the vent damper (if used), vent connector and chimney.
2. Install vent damper (see Figure 4) as follows:
  - a) Open vent damper carton and remove installation instructions. Read the instructions thoroughly before proceeding. Verify that vent damper is same size as draft diverter outlet. See Figure 1. Unpack vent damper carefully. **Do not force closed damper blade.** Forcing vent damper closed may result in damaged gear train and void warranty.
  - b) Vent damper is factory shipped having approximately  $\frac{3}{4}$ " diameter hole in the vent damper blade, which **must be left open** for boilers equipped with standing pilot, and should be plugged on boilers with an intermittent pilot system, using the plug supplied with the damper.  
Mount the vent damper on the flue collar without modification to either and secure with sheet metal screws. Make sure screws do not interfere with damper blade operation. Vent damper blade position indicator must be visible to users.
  - c) The damper wire harness is shipped wired into the boiler junction box. Plug the loose end of this harness into the damper and secure the flexible conduit to the damper using a connector nut provided.
  - d) Install vent connector pipe and vent fittings from vent damper outlet to chimney or gas vent. Secure with sheet metal screws and support as required.
3. Gas Vent Termination

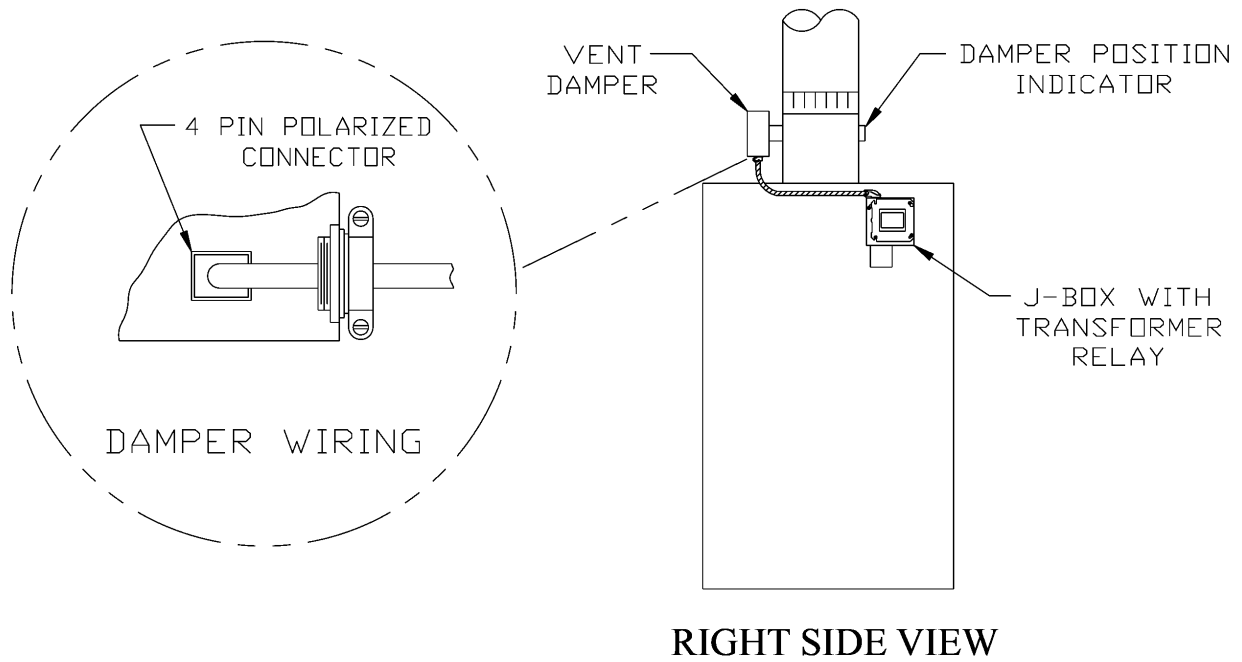
Gas vents located not less than 8 ft. (24 m) from a vertical wall or similar obstruction shall terminate above the roof in accordance with Figure 5 and Table 2.



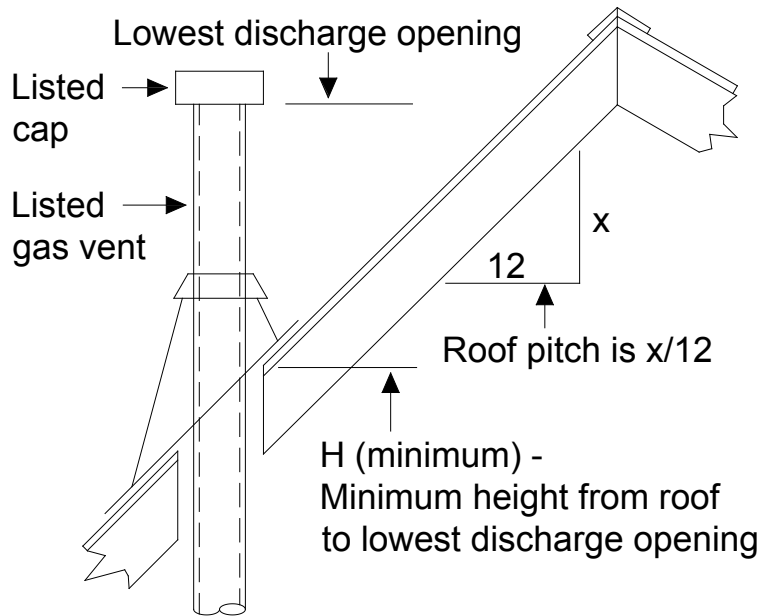
**FIGURE 3: FORCESTM BOILER TYPICAL VENT SYSTEM INSTALLATION AND COMPONENTS**



## VI. Venting (continued)



**FIGURE 4: VENT DAMPER INSTALLATION DETAILS**



**FIGURE 5: TERMINATION LOCATIONS FOR GAS VENTS WITH LISTED CAPS AT LEAST 8 FT (2.4 M) FROM A VERTICAL WALL:**

**TABLE 2: ROOF SLOPE HEIGHTS**

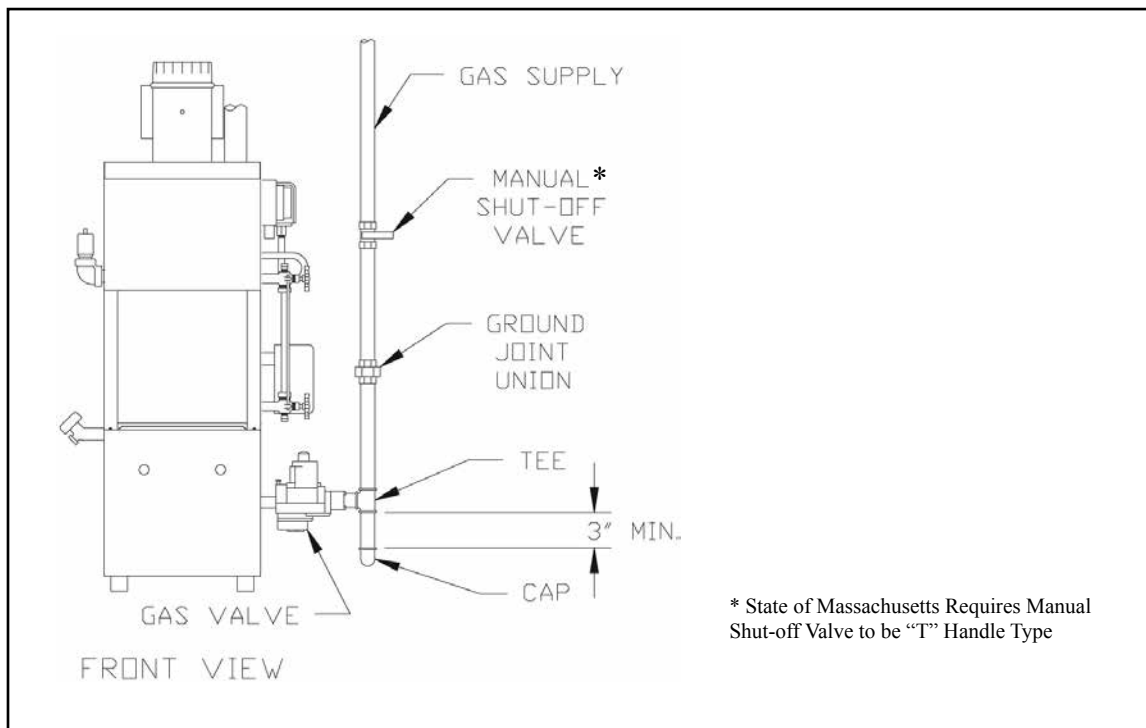
Roof Slope	H (minimum)	
	ft	m
Flat to 6/12	1.0	0.30
Over 6/12 to 7/12	1.25	0.38
Over 7/12 to 8/12	1.5	0.46
Over 8/12 to 9/12	2.0	0.61
Over 9/12 to 10/12	2.5	0.76
Over 10/12 to 11/12	3.25	0.99
Over 11/12 to 12/12	4.0	1.22
Over 12/12 to 14/12	5.0	1.52
Over 14/12 to 16/12	6.0	1.83
Over 16/12 to 18/12	7.0	2.13
Over 18/12 to 20/12	7.5	2.27
Over 20/12 to 21/12	8.0	2.44

## VII. Gas Piping

Gas piping to the boiler must be sized to deliver adequate gas for the boiler to fire at the nameplate input at a line pressure between the minimum and maximum values shown on the rating plate. For more information on gas line sizing, consult the utility or Chapter 2 of the *National Fuel Gas Code*.

Figure 6 shows typical gas piping connection to the FORCESTM boiler. A sediment trap must be installed upstream of all gas controls. Install a manual shut-off valve outside the jacket and ground joint union as shown.

The boiler and its gas connection must be leak tested before placing the boiler in operation. When doing this, the boiler and its individual shut-off must be disconnected from the rest of the system during any pressure testing of that system at pressures in excess of 1/2 psi. When pressure testing the gas system at pressures of 1/2 psi or less, isolate the boiler from the gas supply system by closing its individual manual shut-off valve.



**FIGURE 6: GAS CONNECTION TO BOILER**

---

## VIII. System Piping

---

### CAUTION

- INSTALL BOILER SO THAT THE GAS IGNITION SYSTEM COMPONENTS ARE PROTECTED FROM WATER (DRIPPING, SPRAYING, RAIN, ETC.) DURING APPLIANCE OPERATION AND SERVICE (CIRCULATOR REPLACEMENT, ETC.).
- OPERATION OF THIS BOILER IN A SYSTEM HAVING SIGNIFICANT AMOUNTS OF DISSOLVED OXYGEN CAN CAUSE SEVERE HEAT EXCHANGER CORROSION DAMAGE.

### General Piping Notes

Figure 7 shows recommended near boiler piping for most common types of gravity return steam systems. Additional information on steam system design may be found in *Installation Guide for Residential Hydronic Heating Systems* (Pub. #200).

One of the primary purposes of this near boiler piping is to separate tiny water droplets from the steam exiting the boiler so that “dry” steam is sent to the system. If the near boiler piping is not correct, wet steam will enter the system and the following problems may occur:

- Short cycling on low water
- Boiler or system Flooding
- Hammering
- Failure to heat one or more radiators

Avoid the three common piping mistakes shown in Figure 8. This applies even if the existing boiler has one of the piping mistakes shown in Figure 8 and appears to be working. If two or more steam mains must be connected to the boiler, connect a separate take-off for each main into the header between the riser(s) and equalizer. Also note the following points:

- 1) A size reduction must be made to connect the header to the equalizer. This reduction must be made in the equalizer line. Do not make this size reduction in the horizontal header.
- 2) One pipe steam systems require air vents on each radiator, as well as at the end of each main. For the system to work properly, these vents must be properly installed, sized, and be in good condition. Inspect and replace any defective vents. If there are no vents at the ends of the mains, install them.
- 3) Do not attempt to manifold multiple FORCESTM boilers with gravity returns.
- 4) For installations with condensate or boiler feed pumps, follow the pump manufacturer’s piping instructions. Such systems generally do not require Hartford loops.
- 5) Do not use a check valve in place of, or in addition to, a Hartford loop on a gravity return system.
- 6) Pipe the fill connection from a clean source of cold water. When the water supply is from a well, make sure that a strainer is installed in the well system.
- 7) Piping with a Chiller - If the boiler is used in conjunction with a chiller, pipe the boiler in parallel with chiller. Use isolation valves to prevent chilled water from entering the boiler.

## VIII. System Piping (continued)

### Piping Installation

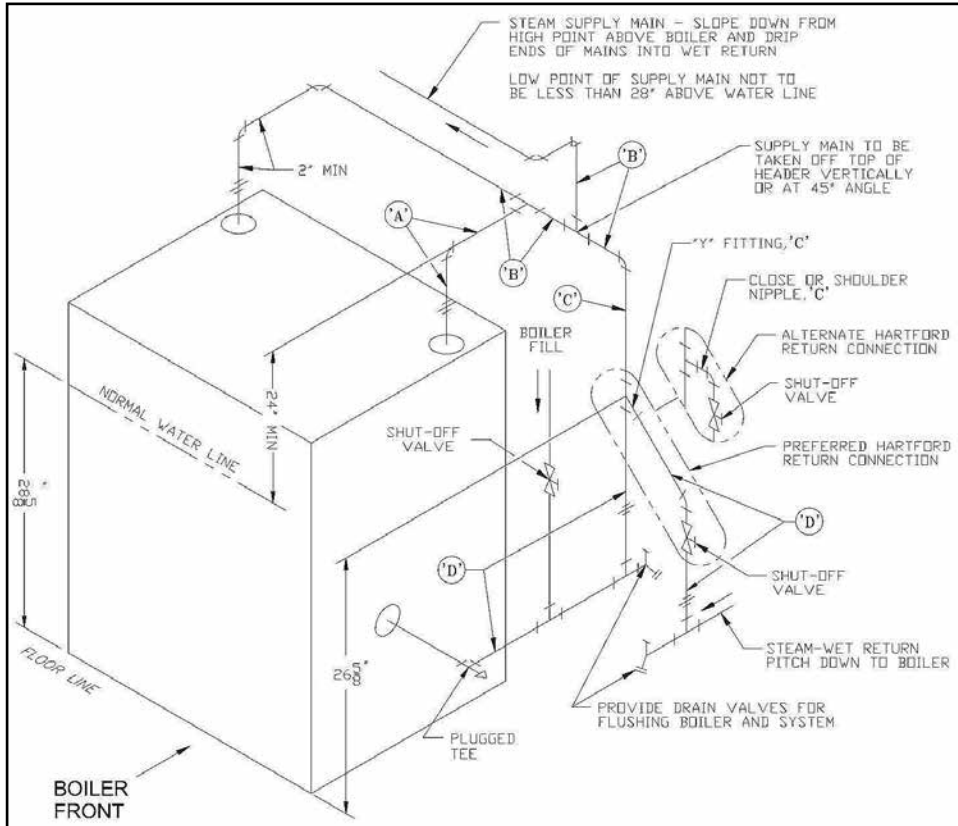
- 1) Remove parts bag from boiler crate.
- 2) Install safety valve (spindle must be in vertical position) into tapping on boiler left side (see Figure 1) using the 3/4" NPT nipple and elbow supplied.
- 3) Pipe the discharge of the safety relief valve to a location where water or steam will not create a hazard or cause property damage if the valve opens. The end of the discharge pipe must terminate in an unthreaded pipe. If the safety valve discharge is not piped to a drain it must terminate at least 6 inches above the floor. The termination of the safety valve discharge piping must be in an area where it is not likely to become plugged by debris or subjected to freezing.

#### **DANGER**

- PIPE SAFETY VALVE DISCHARGE TO A SAFE LOCATION.
- DO NOT INSTALL A VALVE IN THE SAFETY VALVE DISCHARGE LINE.
- DO NOT MOVE SAFETY VALVE FROM FACTORY LOCATION.
- DO NOT PLUG SAFETY VALVE DISCHARGE.
- DO NOT INSTALL A SAFETY VALVE WITH A SETTING GREATER THAN 15 PSI.

- 4) Install drain valve into tapping on boiler left side using the 2 x 3/4 bushing provided (see Figure 1).
- 5) Connect system supply and return to boiler. See Figure 7. FORCESTM03 through FORCESTM06 may be piped with one or two risers. Install 2" plug in Tapping G if optional second supply A is not used. Two supply risers are required on the FORCESTM07 and FORCESTM08.
- 6) Piping with a Chiller - If the boiler is used in conjunction with a chiller, pipe the boiler in parallel with chiller. Use isolation valves to prevent chilled water from entering the boiler.

# VIII. System Piping (continued)

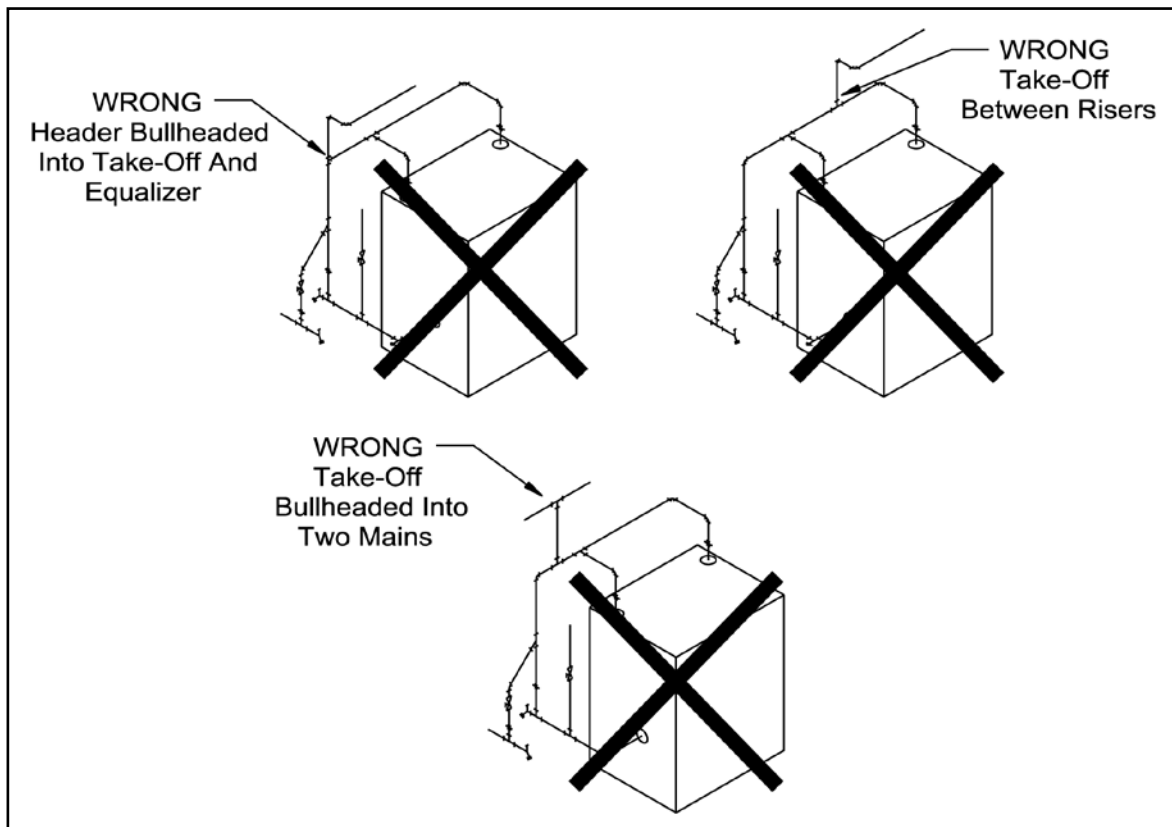


**MINIMUM PIPE SIZE**

	FORCESTM03 / FORCESTM04 / FORCESTM05 / FORCESTM06	FORCESTM07 / FORCESTM08
(A)	2**	2
(B)	2	3
(C)	1½	1½
(D)	1¼	¼

\*\* Optional

**FIGURE 7: STEAM BOILER PIPING FOR GRAVITY RETURN**



**FIGURE 8: COMMON NEAR-BOILER PIPING MISTAKES**

## IX. Indirect Water Heater Piping

All FORCESTM series boilers are equipped with tapplings to permit the connection of a Link SL™ Indirect Water Heater, or other indirect water heater. In this type of system, hot boiler water is drawn from below the water line and passed through the heat exchanger in the indirect water heater. This section describes boiler-side piping only. Refer to Link SL™ Installation, Operating and Service Instructions for additional information. The components in this system and their functions are as follows:

- 1) **Circulator** - Mount the circulator as shown in Figure 9. The circulator should be located as low and as close to the boiler as practical. Do not install valves, or other devices having a significant pressure drop, between the boiler and the circulator inlet. All piping between the boiler and the circulator inlet should be 1", regardless of the size of the piping required in the rest of the system. See Figure 10 in Part X for wiring information.
- 2) **"Y" Strainer** - Install a "Y" strainer to prevent sediment from accumulating inside the indirect water heater.
- 3) **Check Valve** - Prevents gravity circulation through the indirect water heater when the boiler is responding to a call for heat.
- 4) **Boiler Limit Control** - Use a SPST break-on-rise temperature limit control such as the Honeywell L4006A. Do not set the limit above 180°F as doing so may cause the boiler to steam when there is no call for heat. See Figure 10 for wiring information.
- 5) **Valves and Unions** - Install shut-off valves, drain valves, and unions in locations that will facilitate maintenance of the system. Do not install any valves between the boiler and circulator inlet.

### IMPORTANT

- Some indirect water heaters may not be suitable for use with a steam boiler. Consult the water heater manufacturer's guidelines before installing it in this type of system.
- Boiler water temperatures and flow rates in this type of system may be considerably lower than those upon which the water heater manufacturer's ratings are based. This may result in substantially longer water heater recovery times.

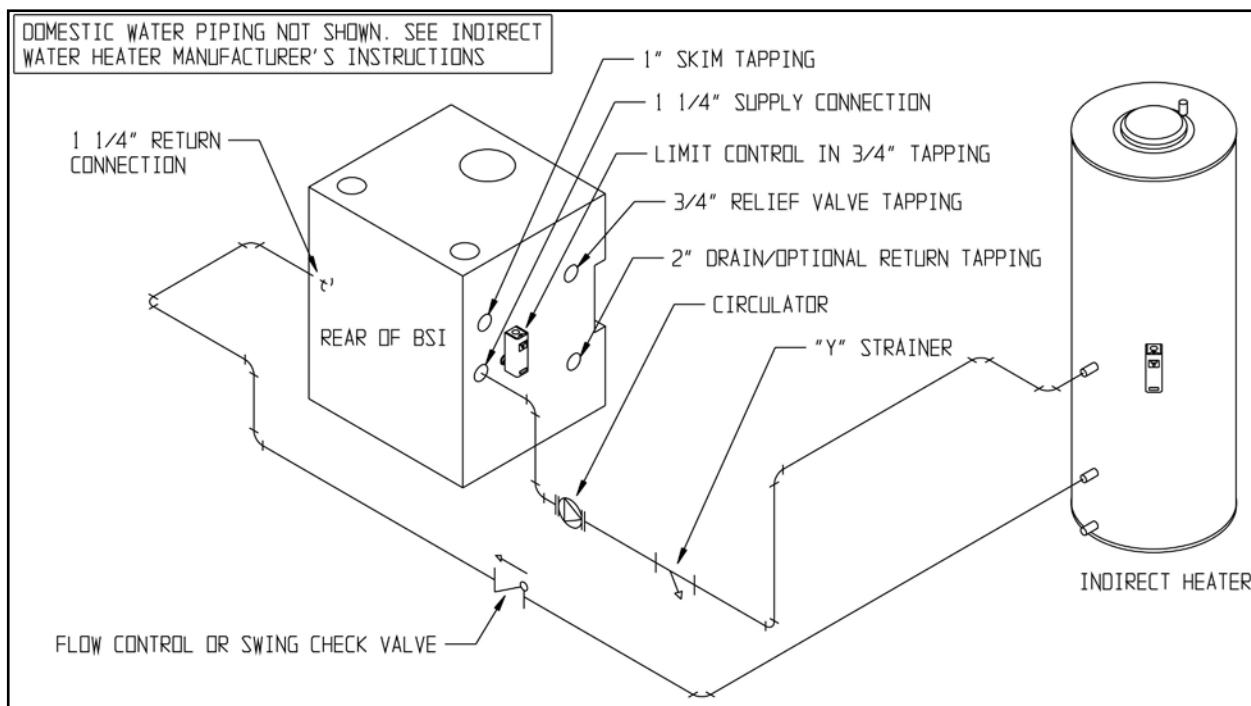


FIGURE 9: INDIRECT WATER HEATER BOILER-SIDE PIPING

---

## X. Electrical

---

### WARNING

All wiring and grounding must be done in accordance with the authority having jurisdiction or, in the absence of such requirements, with the National Electrical Code (ANSI/NFPA 70)

- 1) 120 Volt Wiring - The boiler should be provided with its own 15A branch circuit with fused disconnect. All 120 volt connections are made inside the junction box on the left side of the boiler. Remove the transformer to gain access to this box (also see Figures 11 and 12):
  - Hot (“black”) - Wire nut to black transformer lead
  - Neutral (“white”) - Wire nut to white transformer lead
  - Ground (“green” or bare) - Ground screw inside junction box.
- 2) Thermostat Wiring - Follow thermostat manufacturer instructions. To insure proper thermostat operation, avoid installation in areas of poor air circulation, hot spots (near any heat source or in direct sunlight), cold spots (outside walls, walls adjacent to unheated areas, locations subject to drafts). Provide Class II circuit between thermostat and boiler. Connect thermostat wire leads to the blue transformer lead and brown relay lead inside the junction box. Set the heat anticipator to 0.2A.

## X. Electrical (continued)

### Indirect Water Heater Wiring

Figure 10 shows field wiring for an indirect water heater. A Honeywell R845A or equivalent DPST relay and transformer is required. The high limit described in Part IX must also be supplied by the installer. A call for heat from the indirect water heater thermostat will energize the relay making both sets of contacts. One set of these contacts then energizes the circulator. The other set of contacts will make the “T” and “T” contacts on the burner primary control, firing the burner. If the boiler water temperature exceeds the high limit setting of 180°F, the high limit will open the “T”-“T” circuit and the burner will shut down.

If there is a call for space heat, the heating thermostat will make the “T”-“T” circuit and the boiler will fire without regard to the status of the indirect water heater. The low water cut-off and pressure limit control will interrupt 120 volt power to the burner in the event of a low water or excessive pressure condition.

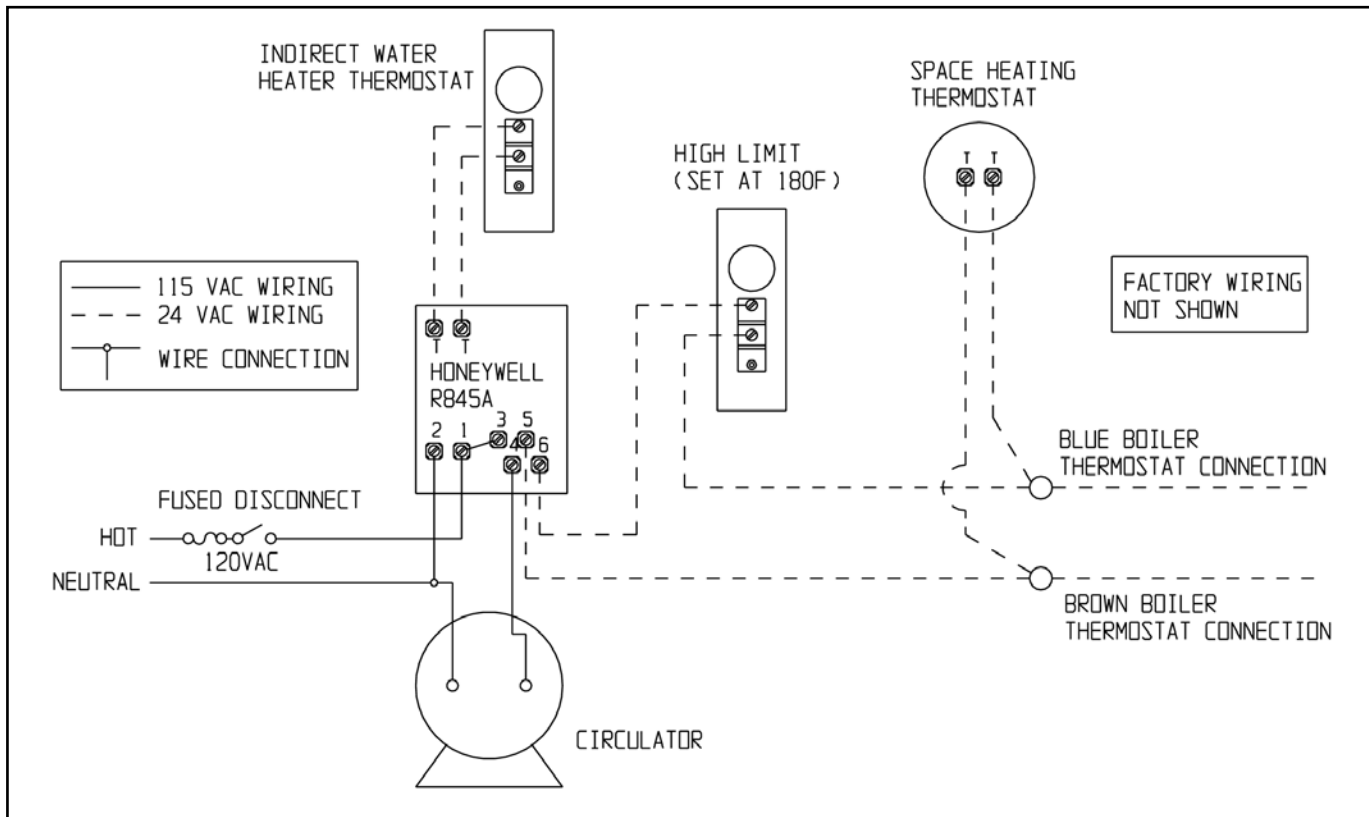


FIGURE 10: WIRING INDIRECT WATER HEATER TO BOILER



## X. Electrical (continued)

### FORCESTM Control System – Sequence of Operation

(Refer to Figures 11 & 12 for ladder and connection diagrams)

#### Sequence of Operation, Intermittent Ignition

- 1) When the boiler is energized, 24 volts is immediately applied to terminals “1” (blue) and “4” (yellow) on the vent damper. Assuming that there is no call for heat, and that the damper switch is in the “automatic” position, the damper will close. On boilers equipped with Hydrolevel CG400A probe type low water cut-offs, voltage is also always applied to terminals “1” (blue) and “2” (yellow) on the low water cut-off to power the water level sensing circuit.
- 2) Assuming that water is above the cut-off level, power will appear at terminal “3” on the CG400A LWCO.
- 3) Assuming that steam pressure is below the pressure limit setting, power will appear on one side of relay contact 1R1 (Gray lead). Relay 1R is the R8225 mounted under the junction box.
- 4) A call for heat from the thermostat energizes relay coil 1R causing contacts 1R1 to make. Current then flows through contacts 1R1 to pin terminal “2” (orange) at the vent damper and the damper opens.
- 5) Once the vent damper is fully open, an end switch inside the damper will make, energizing pin “3” (red) at the damper.
- 6) Current passes from terminal “3” on the vent damper through the flame rollout and blocked vent (“spill”) switches. Under normal conditions, both of these switches are made and voltage will therefore immediately appear across terminals “24V” and “24V (GND)” on the ignition module.
- 7) Upon application of voltage across the “24V” and “24V (GND)” terminals, the ignition module will start an ignition spark at the pilot and apply 24 volts across the pilot valve (terminals “PV” and “MV/PV”).
- 8) Once the pilot is established, the pilot flame will act as a diode, converting the AC current at the electrode to a half wave DC current at the pilot’s ground strap. This DC current flows through the boiler to the “GND (BURNER)” connection on the ignition module. For the ignition module to recognize that a pilot flame is present, the DC current flowing into this terminal must be in excess of approximately 1.0 uA.
- 9) Once the ignition module detects the presence of a pilot flame, voltage is applied across the main valve (terminals “MV” and “MV/PV”), opening the valve and establishing main flame.
- 10) For more information on module operation, consult the ignition module instructions supplied with the boiler or the local Ferguson representative.

#### Safety Control Operation - Intermittent Ignition

Hydrolevel CG400A Low Water Cut-off - Interrupts burner operation if the water in the boiler drops below a safe level. As the water drops past the cut-off point, the amber lamp on the CG400A will glow. The CG400A will interrupt power to the burners 15 seconds after the water level drops past the cut-off point. This feature prevents short cycling of the burners due to a bouncing water line. The burners will then remain off until 30 seconds after the water level has been raised above the cut-off point.

The CG400A is also equipped with a feature which will shut down the burners after they have been firing for 10 minutes, regardless of the water level status. The CG400A then keeps the burners off for 90 seconds, allowing the water level and any foam which is present to settle. During this 90 second interval, the green LED on the CG400A will glow. If the water level is still above the cut-off line at the end of this 90 second interval, the CG400A will restart the burners.

The vent damper will close when the low water cut-off interrupts burner operation.

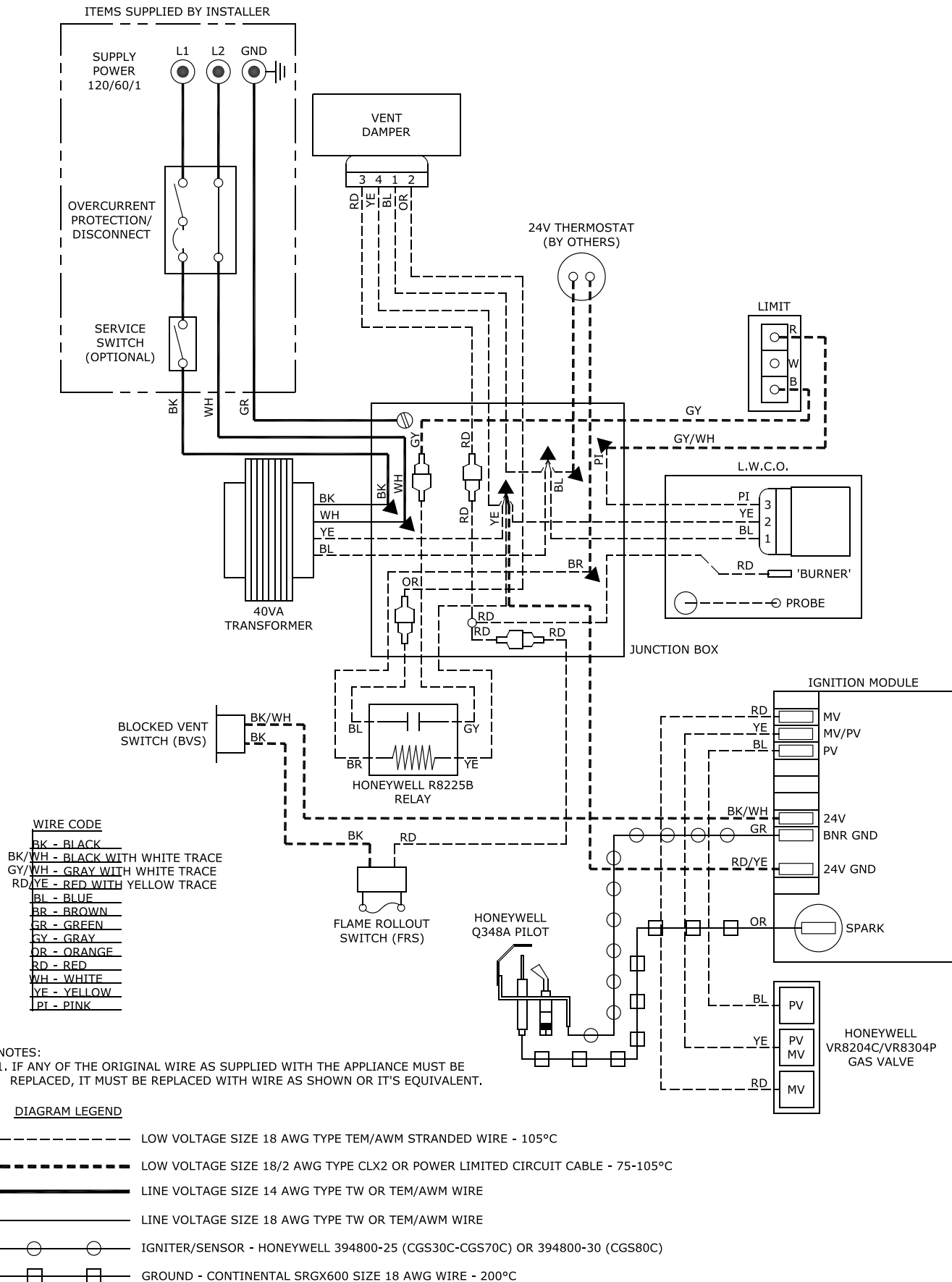
Pressure Limit Control - Interrupts burner operation when the pressure in the boiler exceeds the “Cut-in” setting plus the differential setting. The “Cut-in” setting is shown on the outside of the control and is adjusted using the screw on the top of the control. The differential is adjusted using the white thumb wheel on the inside of the control. Burner operation is restored when the pressure in the boiler drops to the “Cut-in” pressure.

The vent damper will close when the pressure limit control interrupts burner operation.

Blocked Vent Switch (BVS) - Automatically interrupts burner operation in the event that flue gas spills from the draft diverter opening. This switch is equipped with a reset button which must be pressed to restore normal burner operation. An open blocked vent switch is indicative of a problem with the vent system. If the blocked vent switch opens, the cause of the venting problem must be found and corrected by a qualified gas service technician before the blocked vent switch is reset.

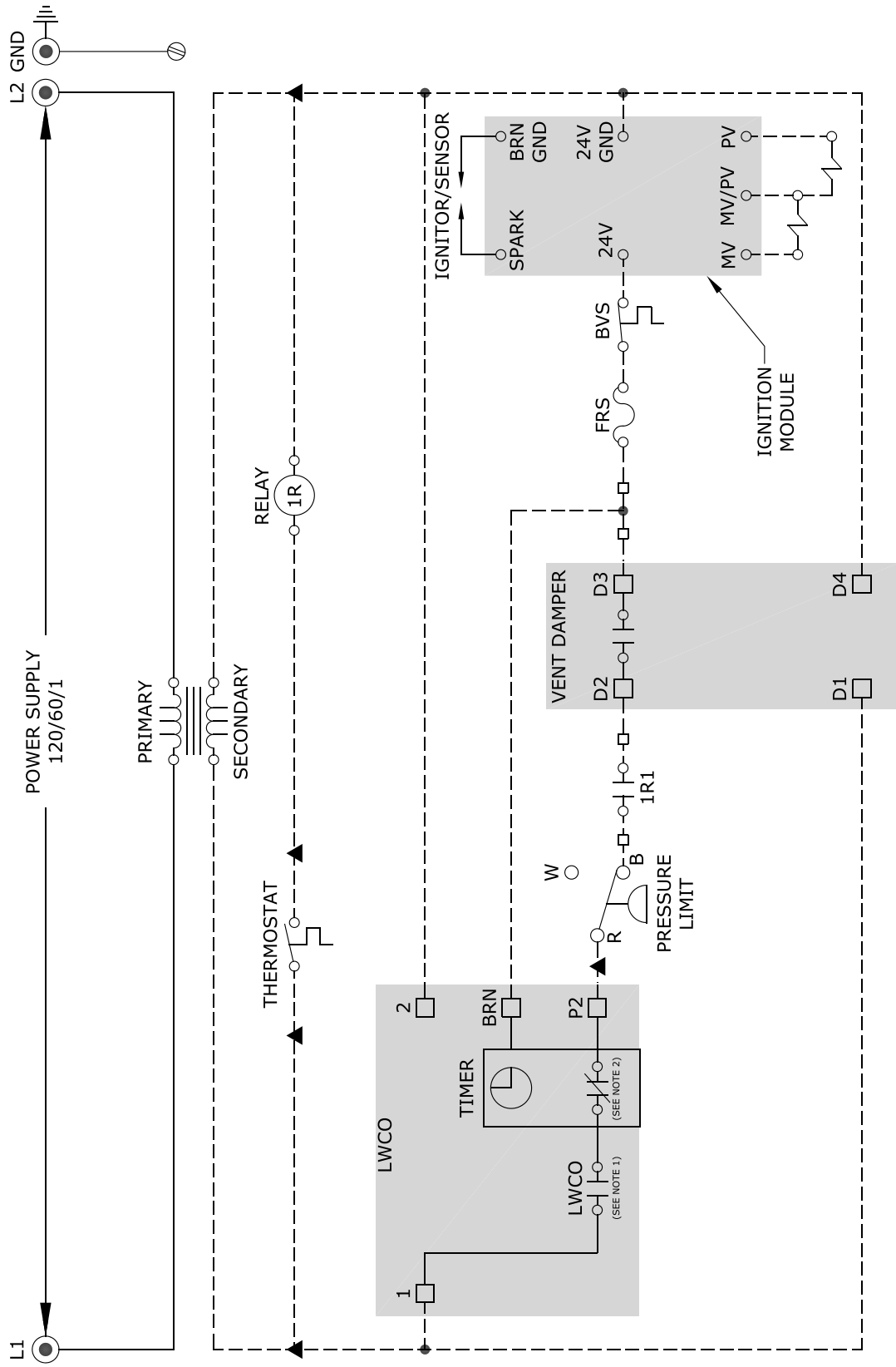
Flame Rollout Switch (FRS) - Automatically interrupts burner operation when flames or excessive heat are present in vestibule. The flame rollout switch is a single use device which must be replaced by an identical switch in order to restore normal operation. An open flame rollout switch is usually indicative of a plugged heat exchanger. The cause of the flame rollout must be found and corrected by a qualified gas service technician, and the switch replaced with an identical one, before the boiler is returned to operation.

# X. Electrical (continued)



**FIGURE 11: WIRING DIAGRAM, HYDROLEVEL CG400A LOW WATER CUTOFF**

# X. Electrical (continued)



NOTES:  
 1. LWCO NORMALLY OPEN (NO) UNTIL BOILER WATER REACHES MINIMUM LEVEL.  
 2. TIMER REMOVES POWER FROM BURNER CIRCUIT FOR 90 SECONDS AT 20 MINUTE INTERVALS TO ALLOW FOAM AND VOLATILE WATER TO SETTLE.

LADDER DIAGRAM LEGEND  
 - - - - - 24V WIRING  
 \_\_\_\_\_ 120V WIRING

FIGURE 12: LADDER DIAGRAM, HYDROLEVEL CG400A LOW WATER CUTOFF

---

## XI. System Start-up

---

Use the following procedure for initial start-up of the boiler:

- 1) Make sure that the boiler is filled with water to the normal water line (28 3/4 inches above the floor or pad on which the boiler is installed)
- 2) Check all new gas piping for leaks and purge piping sections that are filled with air. See Part 4 of the *National Fuel Gas Code* for additional information on testing and purging gas lines.

### WARNING

- NEVER USE A FLAME TO CHECK FOR GAS LEAKS.
- MAKE SURE THAT THE AREA AROUND THE BOILER IS CLEAR AND FREE FROM COMBUSTIBLE MATERIALS, GASOLINE, AND OTHER FLAMMABLE VAPORS AND LIQUIDS.
- DAMPER MUST BE IN OPEN POSITION WHEN APPLIANCE MAIN BURNER IS OPERATING.

- 3) Verify that vent system is complete and free of obstructions before attempting to fire boiler.
- 4) Inspect all wiring for loose or uninsulated connections.
- 5) Make sure the main burners are seated properly in the rear of burner tray and on orifices.
- 6) Adjust steam pressure limit control for a cut-in pressure of 0.5 psi and a differential pressure of 1 psi.
- 7) Adjust thermostat to the highest setting.
- 8) Start the boiler using the Operating Instructions. See Figure 14.
- 9) Upon initial start-up, the gas train will be filled with air. Even if the gas line has been completely purged of air, it may take several tries for ignition before a flame is established. Once a flame has been established for the first time, subsequent calls for burner operation should result in a flame on the first try.
- 10) Observe pilot burner flame. Pilot burner produces three flames. The center one should be a steady medium blue flame covering around 3/8" to 1/2" of spark electrode/flame rod. See Figure 13.
- 12) Make sure vent damper is in open position when main burners are firing.
- 13) Inspect the main burner flames visible through the observation port in burner access panel. The flame should be stable and mostly blue (see Figure 15). No yellow tipping should be present; however, intermittent flecks of yellow and orange in the flame are normal.
- 14) Check entire gas train for leaks using soap and water or other approved leak detection method while boiler is firing. Fix any leaks found immediately.
- 15) Run gas valve safety shutdown test. With main burners firing, disconnect ignition cable from ignition module. Both pilot burner and main burners should stop firing.

## XI. System Start-up (continued)

### WARNING

**FAILURE TO FOLLOW THE FOLLOWING PROCEDURE EXACTLY COULD RESULT IN OVER-FIRING OF THE BOILER AND A CARBON MONOXIDE HAZARD.**

- 16) Check the manifold pressure and adjust if necessary. To do this, use the following procedure:
- Connect a manometer to the inlet pressure tap on the gas valve (see Figure 16).
  - Check the inlet pressure with all gas appliances on and off. The inlet pressure at the boiler must be within the following limits regardless of what combination of appliances is firing:

Inlet Press (inches w.c.)	Natural Gas	LP Gas*
Min.	5.0	11.0
Max.	14.0	13.0

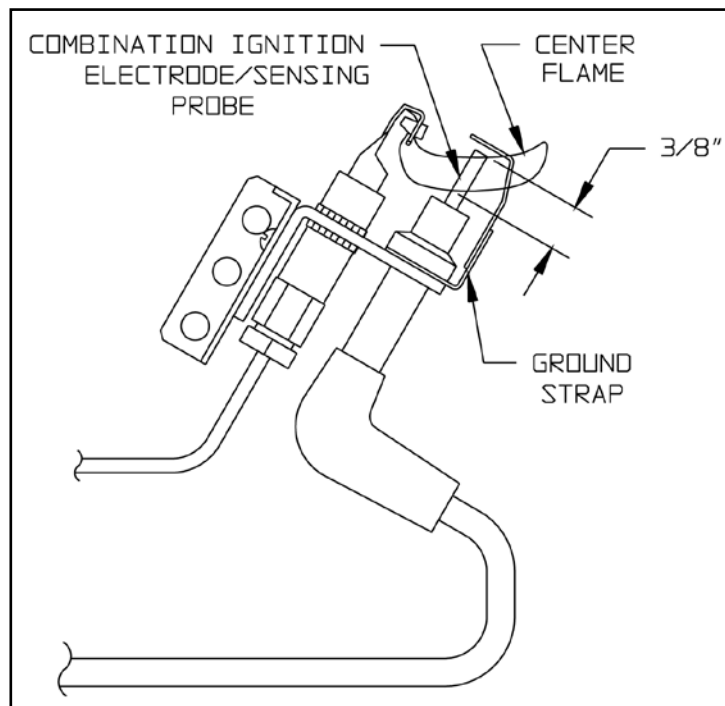
If the inlet pressure falls outside of these limits, find and correct the cause of the problem before proceeding further.

- Connect a manometer to the manifold (outlet) pressure tap on the gas valve (see Figure 16).
- Read the manifold pressure. It should be set at:

Manifold Press. (inches w.c.)	Natural Gas	LP Gas *
	3.5	10.0

- If a manifold pressure adjustment is needed, make the adjustment by turning the pressure regulator (see Figure 16) screw clockwise to raise the pressure and counter clockwise to reduce the pressure. If a manifold pressure adjustment is made, recheck the line pressure to be certain that it is still within acceptable limits. Replace the cover screw on the regulator.

\* See Pre-Installation Section, Number 5 of of this manual for Gas Conversion Kits.



**FIGURE 13: INTERMITTENT IGNITION PILOT BURNER FLAME**

## XI. System Start-up (continued)

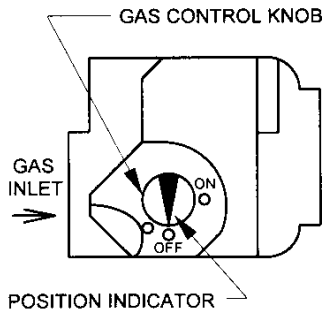
### FOR YOUR SAFETY READ BEFORE OPERATING

**WARNING:** If you do not follow these instructions exactly, a fire or explosion may result causing property damage, personal injury, or loss of life.

- A. This appliance is equipped with an ignition device which automatically lights the pilot. Do not try to light the pilot by hand.
- B. BEFORE OPERATING smell all around the appliance area for gas. Be sure to smell next to the floor because some gas is heavier than air and will settle on the floor.
- WHAT TO DO IF YOU SMELL GAS**
- ▶ Do not try to light any appliance.
  - ▶ Do not touch any electric switch; do not use any phone in your building.
  - ▶ Immediately call your gas supplier from a neighbor's phone. Follow the gas supplier's instructions.
- ▶ If you cannot reach your gas supplier, call the fire department.
- C. Use only your hand to push in or turn the gas control knob. Never use tools. If the knob will not push in or turn by hand, don't try to repair it, call a qualified service technician. Force or attempted repair may result in a fire or explosion.
- D. Do not use this appliance if any part has been under water. Immediately call a qualified service technician to inspect the appliance and to replace any part of the control system and any gas control which has been under water.

### OPERATING INSTRUCTIONS

1. STOP! Read the safety information above on this label.
2. Set the thermostat to lowest setting.
3. Turn off all electric power to the appliance.
4. This appliance is equipped with an ignition device which automatically lights the pilot. Do not try to light the pilot by hand.
5. Locate the gas control valve at the end of the gas supply pipe going into the boiler. The gas control knob is the brown or blue plastic knob located on top of the gas control valve.
6. Rotate gas control knob clockwise from "ON" position to "OFF". Make sure knob rests against stop.
7. Wait five (5) minutes to clear out any gas. Then smell for gas, including near the floor. If you smell gas, STOP! Follow "B" in the safety information above on this label. If you do not smell gas, go to the next step.
8. Rotate gas control knob counterclockwise from "OFF" to "ON". Make sure knob rest against stop. Do not force.
9. Turn on all electric power to the appliance.
10. Set thermostat to desired setting.
11. If the appliance will not operate, follow the instructions "TO TURN OFF GAS TO APPLIANCE" and call your service technician or gas supplier.

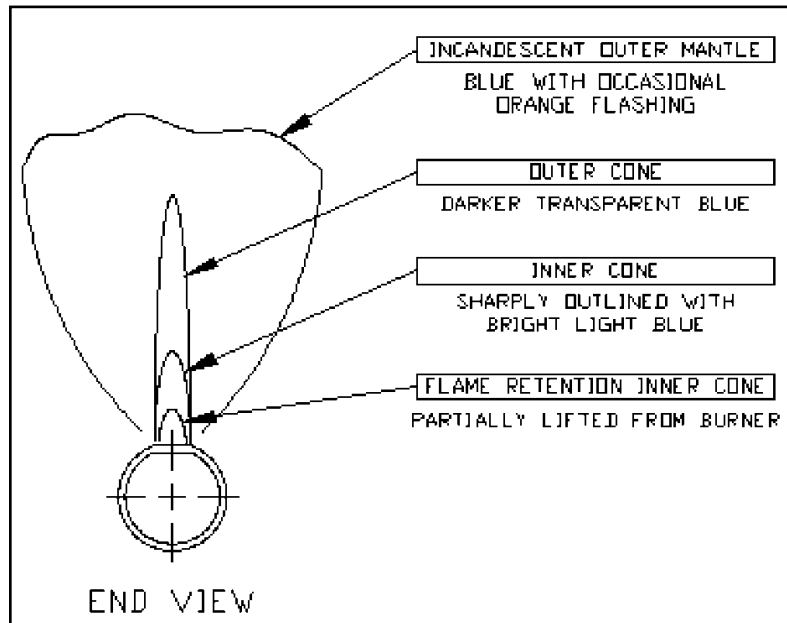


### TO TURN OFF GAS TO APPLIANCE

1. Set the thermostat to lowest setting.
2. Turn off all electric power to the appliance if service is to be performed.
3. Rotate gas control knob clockwise from "ON" position to "OFF". Make sure knob rests against stop.

FIGURE 14: OPERATING INSTRUCTIONS

## XI. System Start-up (continued)



**FIGURE 15: MAIN BURNER FLAME - 1" BURNERS**

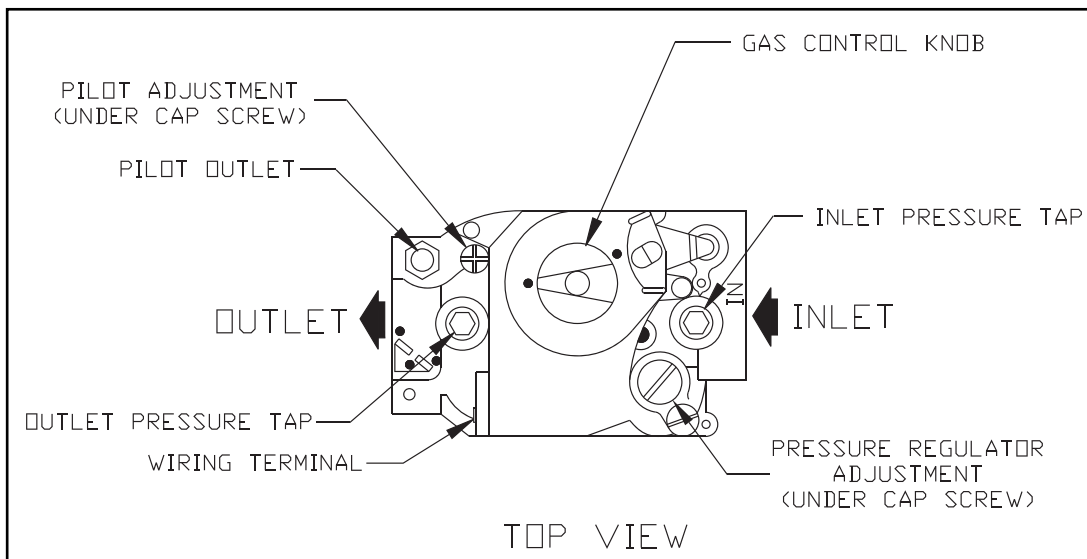
- 17) Test thermostat operation while the boiler is running. Turn the thermostat to the lowest setting. Both pilot burner and main burners should stop firing. Raise the thermostat back to the highest setting. The pilot burner and main burners should relight.
- 18) Verify low water cutoff operation while the boiler is running. Slowly open drain valve and drain boiler until the water level drops below low water cutoff line. Water still should be visible in the gauge glass when the low water cutoff shuts down the main burners. Both pilot burner and main burners should stop firing. Make sure pressure limit, thermostat or other controls have not shut off the boiler. Upon test completion refill the boiler to the normal water level.
- 19) Check pressure limit control operation. When steam pressure is registered on pressure gauge, lower pressure limit setting below gauge reading. Both pilot burner and main burners should stop firing. Raise pressure limit setting above gauge reading. The pilot burner and main burners should relight.
- 20) After the boiler has operated for approximately 30 minutes, check the boiler and heating system piping for leaks. Repair any leaks found at once.
- 21) Inspect the vent system for flue gas leaks. Repair any leaks found before leaving the boiler in operation.
- 22) Replacement of a steam boiler tends to break loose accumulated scale from the system.
- 23) After new boiler has been installed and put into continuous operation for several days, clean the boiler of oil, grease, sludge, and other contaminants that may have been present in existing piping. This will prevent unsteady water line and water carry over into supply main. The boiler boil-out should be done as follows:
  - a) Turn off gas supply to boiler per the Operating Instructions. See Figure 14.
  - b) Drain water from boiler until about one inch of water is visible in gauge glass.
  - c) Run a hose or temporary piping from the boiler drain valve to a location where hot water can be safely discharged. Drain approximately five gallons of water from the boiler and mix-in an appropriate amount of an approved boil-out compound. Remove safety valve and refill the boiler with prepared solution through funnel inserted into elbow under the safety valve. Run a hose or temporary piping from safety valve tapping to a location where hot water can be safely discharged. **DO NOT INSTALL ANY VALVES IN THIS LINE.**
  - d) Light off the boiler per the Operating Instructions. See Figure 14. Run boiler for several hours, boiling the water, without generating steam pressure. Open the water feed valve sufficiently to allow a slight overflow of water through the safety valve tapping drain line. Continue boiling until water coming out is clear.

## XI. System Start-up (continued)

- e) Turn off gas supply to boiler per the Operating Instructions - see Figure 14. Drain hot water from boiler through boiler drain valve to a location where hot water can be safely discharged. Refill the boiler to normal water line level. If water in the gauge glass does not look clear, repeat above boil-out procedure again until water is clear.
- f) Reinstall safety valve and related piping.
- g) Conduct pH and Alkalinity test of water in the system. The pH reading should be in 7 to 11 range.

### NOTE

When substantial amount of make-up water is used due to lost condensate, or when make-up water is hard or corrosive, water treatment is required. Contact qualified water treatment company for recommended water treatment compounds and procedures.



**FIGURE 16: GAS VALVE DETAIL - HONEYWELL VR8204 AND VR8304**



---

## XII. Service Instructions

---

### On a continuous basis:

- 1) Keep the area around the boiler free and clear from combustible materials, gasoline, and other flammable vapors and liquids.
- 2) Keep the area around the boiler and boiler room ventilation openings clear of objects which might obstruct the flow of combustion and ventilation air.

### Every three months:

Boiler water must be monitored throughout the heating season. Boiler water must be tested every three (3) months for the constituents shown in Table 3. If chloride, total hardness, or pH levels in the boiler water are outside of the levels shown in Table 3, excessive make-up water is being added. Find and repair all system leaks, drain, and refill the boiler with fresh make-up water that meets the criteria in Table 3. Then bring the boiler to pressure for 15 minutes to drive off excess oxygen.

**TABLE 3: STEAM BOILER WATER QUALITY CRITERIA  
(Concentration Limits for Make-up Water & Boiler Water)**

Constituent	Make-up Water	Boiler Water
Chlorides	≤ 30 mg/L (ppm)	≤ 100 mg/L (ppm)
Hardness (as CaCo <sub>3</sub> )	≤ 100 mg/L (ppm)	≤ 200 mg/L (ppm)
pH	≥ 9.0 and ≤ 12.0	

= Any time the chloride, total hardness, or pH levels in the boiler water exceed the levels listed in Table 3, drain, refill with fresh make-up water that meets the criteria in Table 3, and bring the boiler to pressure for 15 minutes to drive off excess oxygen.

At the end of each heating season, drain and refill the boiler with fresh make-up water that meets the criteria in Table 3 to a level 4-6 inches above the normal water line. Then bring the boiler to pressure for 15 minutes to drive off excess oxygen.

### On an annual basis:

- 1) Turn off electrical power and gas supply to the boiler
- 2) Inspect the flue passages for signs of blockage. If there is any carbon in the combustion chamber or the flue passages, clean the heat exchanger before proceeding further. See the cleaning procedure below.
- 3) Remove any debris found in the combustion chamber, being careful not to disturb combustion chamber insulation.
- 4) Remove all burners, noting the location of the pilot main burner. If burners show signs of deterioration, they should be replaced (some discoloration around the burner ports is normal). Clean the burners by first brushing the ports with a soft bristle brush and then vacuuming out any debris through the venturi opening.
- 5) Inspect the pilot assembly. Clean any deposits found on the electrode and grounding strap. The ideal gap between the electrode and the ground strap is 1/8". Inspect the porcelain for cracks or other deterioration. Replace pilot assembly if deterioration is found.
- 6) Inspect the combustion chamber insulation for deterioration.
- 7) Inspect the ignition cable insulation for cracks or other deterioration. If deterioration is found, replace cable.
- 8) Reinstall burners, being careful to put the pilot burner back in its original location.
- 9) Inspect all boiler wiring for loose connections or deterioration.
- 10) Inspect the vent system:
  - Make sure that the vent system is free of obstructions.
  - Make sure that all vent system supports are intact.
  - Inspect joints for signs of condensate or flue gas leakage.
  - Inspect venting components for corrosion or other deterioration. Replace any defective vent components.

## XII. Service Instructions (continued)

### CAUTION

LABEL ALL WIRES PRIOR TO DISCONNECTION WHEN SERVICING CONTROLS. WIRING ERRORS CAN CAUSE IMPROPER AND DANGEROUS OPERATION. VERIFY PROPER OPERATION AFTER SERVICING.

- 11) Inspect the boiler and system for leaks.
- 12) Inspect the HydroLevel CG400A low water cut-off:  
Remove and inspect the probe for scale and sediment buildup. Clean any sediment or scale from the probe with a scouring pad or steel wool. Consult the Hydrolevel CG400A manual for any additional maintenance information. Test the low water cut-off before placing the boiler back into service.
- 13) Allow the boiler to cool to room temperature. Remove the drain valve and 2 x 3/4 bushing on the left side of the boiler. Use a flashlight to inspect the bottom row of push nipples for accumulated scale or mud. If a significant amount is present, use the following procedure to clean the inside of the heat exchanger:
  - a) Temporarily install a 1 1/4 inch or larger full port ball valve in place of the boiler drain. Temporarily pipe the outlet of this valve to a location where hot water and steam can be safely discharged.
  - b) Make sure that this valve is closed and that the water level is at the normal water line.
  - c) If a king valve is present in the steam main takeoff, close it. Alternatively, temporarily replace enough of the vents on the mains and/or radiators with plugs so that 2-5 psi can be developed when the boiler is fired.
  - d) Fire the boiler and allow it to steam until 2-5 psi is registered on the gauge.
  - e) Turn off the burners and immediately fully open the 1-1/4 valve.
  - f) Allow the boiler to blow down until either the water runs clear or the water level reaches the bottom of the gauge glass.
  - g) Allow all parts of the boiler to cool to room temperature. Drain the boiler completely and remove the 1-1/4 valve.
  - h) If significant mud or scale is still present in the bottom of the boiler, repeat steps (b) through (g) until all mud or scale is removed.
  - i) Once all mud or scale is removed, replace the 1-1/4 valve and temporary blow-down piping with the standard drain valve. After all parts of the boiler are at room temperature, refill the boiler to the normal water line.
- 14) Place the boiler back in operation using the procedure outlined in "Start-up". Check the pilot line and any other gas piping disturbed during the inspection process for leaks.

## XII. Service Instructions (continued)

### CAUTION

If, during normal operation, it is necessary to add water to this boiler more frequently than once a month, consult a qualified service technician to check your system for leaks. A leaky system will increase the volume of make-up water supplied to the boiler which can significantly shorten the life of the boiler. Entrained in make-up water are dissolved minerals and oxygen. When the fresh, cool make-up water is heated in the boiler the minerals fall out as sediment and the oxygen escapes as a gas. Both can result in reduced boiler life. The accumulation of sediment can eventually isolate the water from contacting the cast iron. When this happens the cast iron in that area gets extremely hot and may eventually crack. The presence of free oxygen in the boiler creates a corrosive atmosphere which, if the concentration becomes high enough, can corrode the cast iron through from the inside. Since neither of these failure types are a result of a casting defect the warranty does not apply.

### Heat Exchanger Cleaning Procedure

- 1) Turn off electrical power and gas supply to the boiler
- 2) Disconnect the damper and vent connector from the boiler.
- 3) Remove the upper front and top jacket panels. If possible, remove the rear and left side jacket panels
- 4) Remove the burners.
- 5) Remove the blocked vent (“spill”) switch
- 6) Remove the ¼-20 nuts and washers holding the flue collector onto the heat exchanger.
- 7) Carefully remove the flue collector gasket strips and set them aside.
- 8) Remove the flue collector from the heat exchanger.
- 9) Clean the flue passageways using a stiff bristle brush. Be certain that all foreign material is removed from the gaps between the pins
- 10) Clean the bottom surfaces of the heat exchanger
- 11) Put a light in the combustion chamber and look through the flue passages from the top to verify that they have been thoroughly cleaned.
- 12) Replace the flue collector gasket strips. If desired, RTV silicone sealant with a 500°F intermittent duty temperature may be substituted for this rope gasket. The flue collector must be thoroughly sealed to the heat exchanger.
- 13) Replace the ¼-20 nuts and washers that hold down the flue collector
- 14) Reattach all the jacket components.
- 15) Reinstall burners, being careful to put the pilot main burner in its original location.
- 16) Replace the blocked vent switch.
- 17) Reconnect the damper and vent system.

## XII. Service Instructions (continued)

### WARNING

SOOT DEPOSITS IN THE FLUE PASSAGES ARE A SIGN THAT THE BOILER MAY BE OPERATING AT HIGH CARBON MONOXIDE (CO) LEVELS. AFTER CLEANING THE BOILER OF SOOT DEPOSITS, CHECK THE CO LEVEL IN THE FLUE GAS TO INSURE THAT THE BOILER IS OPERATING PROPERLY.

If it is necessary to check CO, use a combustion analyzer, or other instrument which is designed to measure CO in flue gas. A CO “sniffer” designed for testing CO levels in ambient air cannot be used to check boiler combustion. Take a flue gas sample by inserting a sample probe through the draft diverter opening and into the flue collector so that the sample is taken in the area directly over the heat exchanger. Do not take a sample until the boiler has been firing for at least five minutes.

A normal CO reading for a FORCESTM series boiler is less than 50ppm (0.005%). A reading of more than 100ppm (0.01%) is indicative of a combustion problem.

Some causes of excessive CO include:

- Incorrectly sized main burner orifice for the altitude at which boiler is installed
- Crooked or out-of-round orifice holes (never attempt to drill orifice for this boiler in the field)
- Partially plugged flue passages
- Improper manifold pressure
- Foreign material in burner venturis or burner ports
- Leak in seal between flue collector and heat exchanger
- Inadequate supply of combustion air

---

## XIII. Troubleshooting

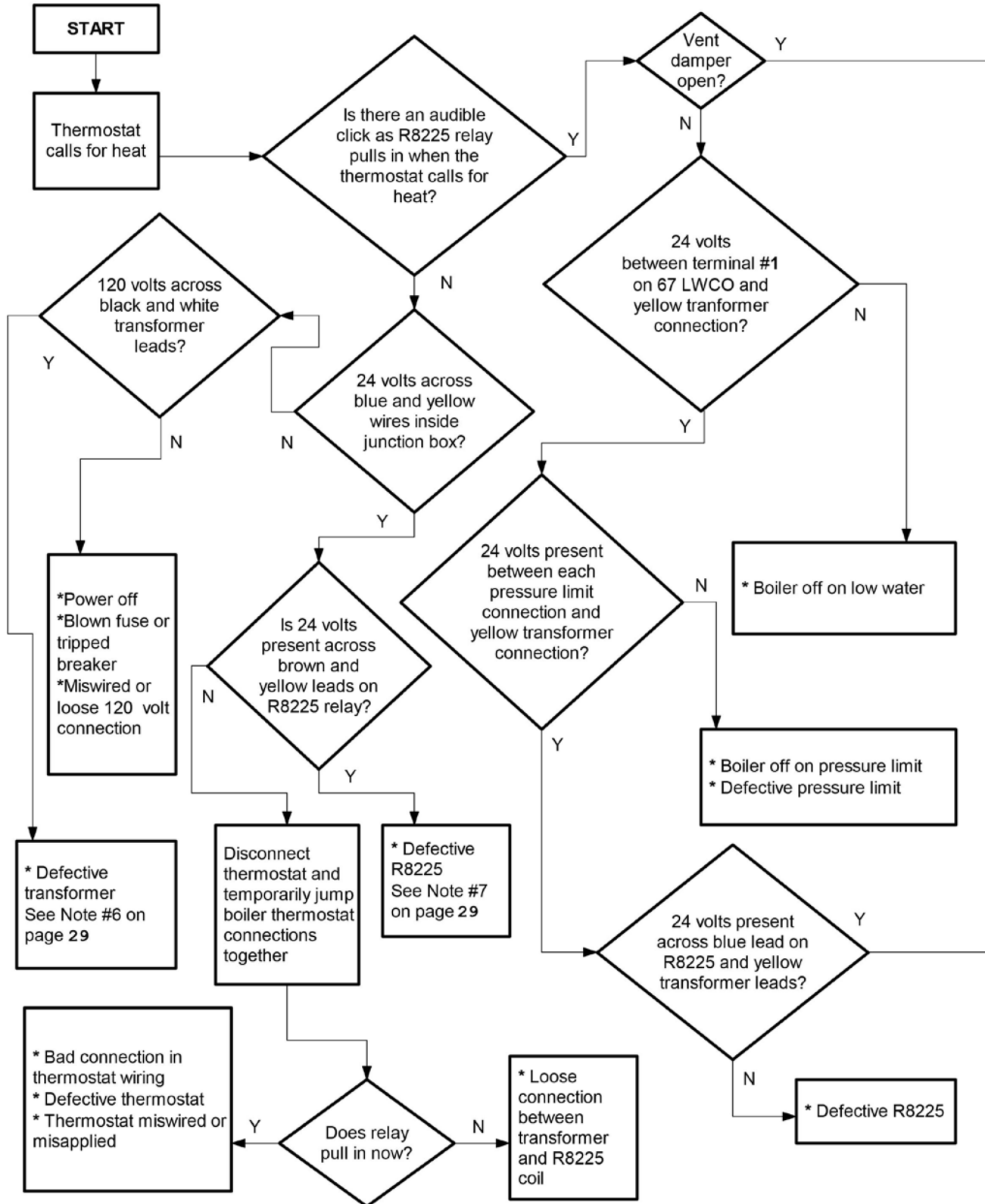
---

The following pages contain troubleshooting charts for use in diagnosing control problems. To use these charts, go to the box marked “Start” at the top of the chart on page 30 or 32 and follow the appropriate path through the chart until a box with a list of possible causes is reached. If the problem is known to be within the ignition system, go directly to the ignition system troubleshooting guide for the boiler on page 32. In using these charts, the following should be kept in mind:

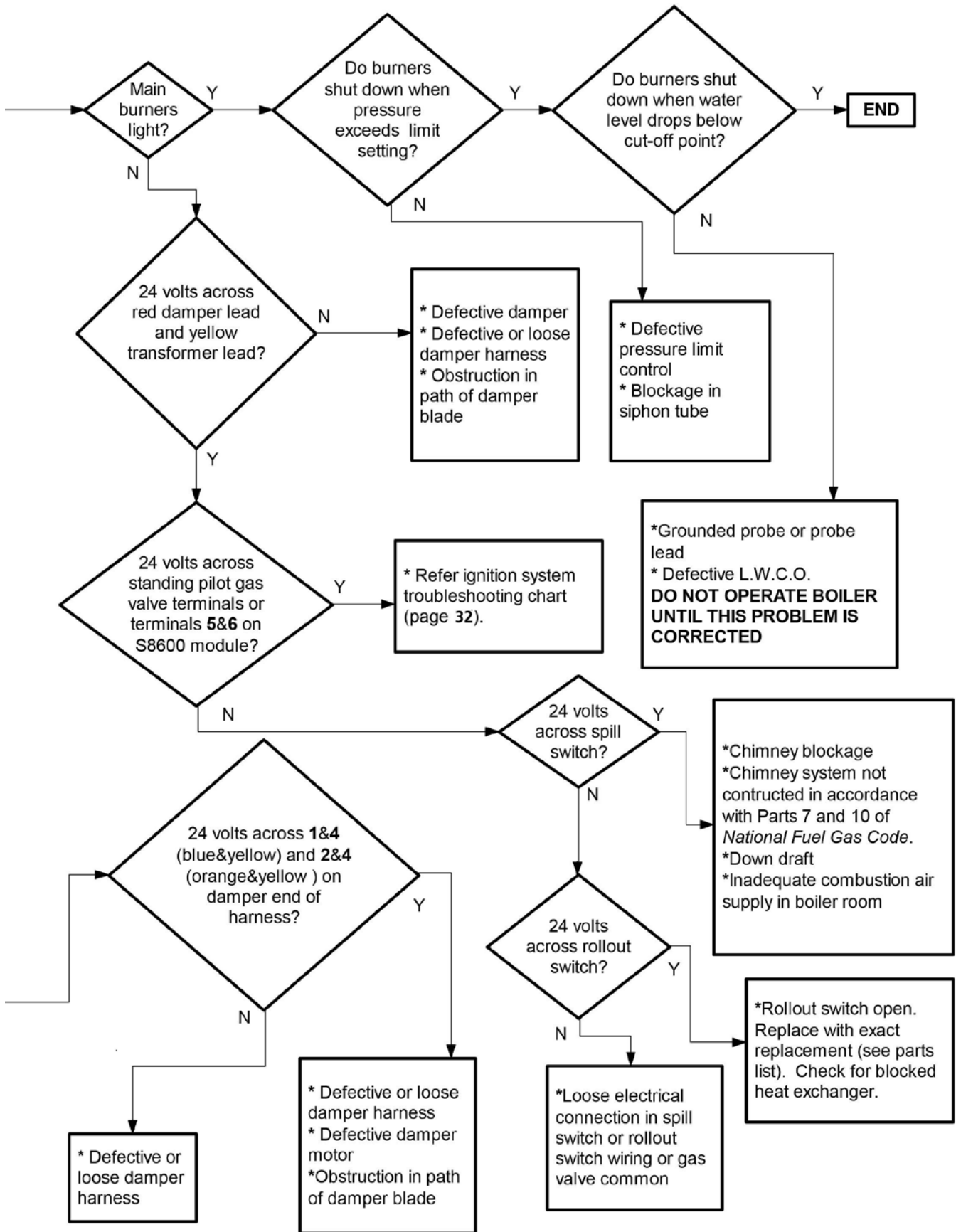
- 1) These charts are only meant to be used by a professional heating technician as an aid in diagnosing control problems.
- 2) Where applicable, follow all precautions outlined in the Operating Instructions. See Figure 14.
- 3) In general, these charts assume that there are no loose or miswired electrical connections. Before using these charts, inspect all electrical connections on the boiler to make sure that they are tight. Also, check the wiring on the boiler against the appropriate wiring diagram in Figures 11 and 12.
- 4) The possible causes at the end of each branch in these charts are not listed in order of likelihood. All controls on the FORCESTM are tested at least once in the manufacturing process and a defective control or component is generally the least likely cause. Before replacing a component, try to rule out all other possible causes.
- 5) These troubleshooting charts assume that the vent damper is closed at the beginning of the troubleshooting process. With the 120 volts applied to the boiler and no call for heat, the damper should go to the closed position. If it does not, do the following:
  - Confirm that 120 volts is applied to the boiler and that there is no call for heat.
  - Make sure that the switch on the damper is in the “automatic” position.
  - Unplug the harness from the damper and check for 24 volts across pin #1 (blue) and pin #4 (yellow).
  - If voltage is present, the damper is defective or there is an obstruction in the path of the damper blade.
  - If no voltage is present, there is either a loose connection in the damper harness or the transformer is defective.
- 6) If the charts indicate that the transformer is defective, it is possible that this transformer has been destroyed by a short circuit in the boiler wiring. Before replacing the transformer, carefully inspect all low voltage wiring on the boiler for places where it is touching the frame of the boiler or wiring on the other side of the transformer.
- 7) If the charts indicate that the R8225 relay is defective, there is a good chance that a second transformer is present in the thermostat circuit, resulting in the application of 48 volts across the relay coil. In older buildings, this transformer may be hidden in a location far from the boiler. If this second transformer exists, it must be found and removed before the R8225 is replaced.
- 8) When checking voltage across damper harness pins, be careful not to insert the meter probes into the pins. Doing so may damage the pin, resulting in a loose connection when the harness is reconnected.

### XIII. Troubleshooting (continued)

#### Troubleshooting Chart for FORCE™ Boilers Equipped with Hydrolevel CG400A Low Water Cut-offs and Vent Dampers Caution: Read page 29 before attempting to use this chart



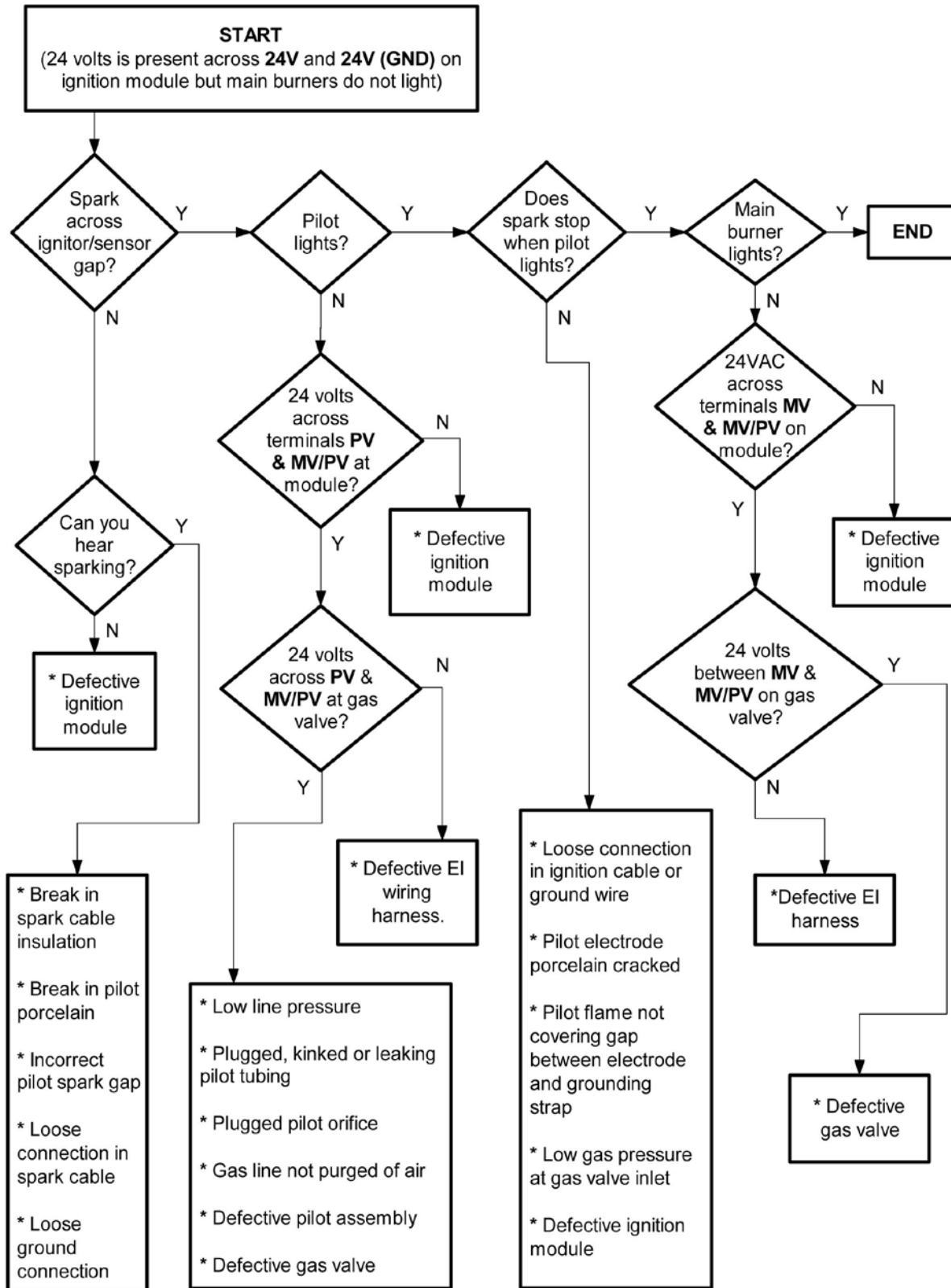
### XIII. Troubleshooting (continued)



### XIII. Troubleshooting (continued)

#### Ignition System Troubleshooting Chart

**Caution:** Read page 29 before attempting to use this chart





---

## **XIV. Repair Parts**

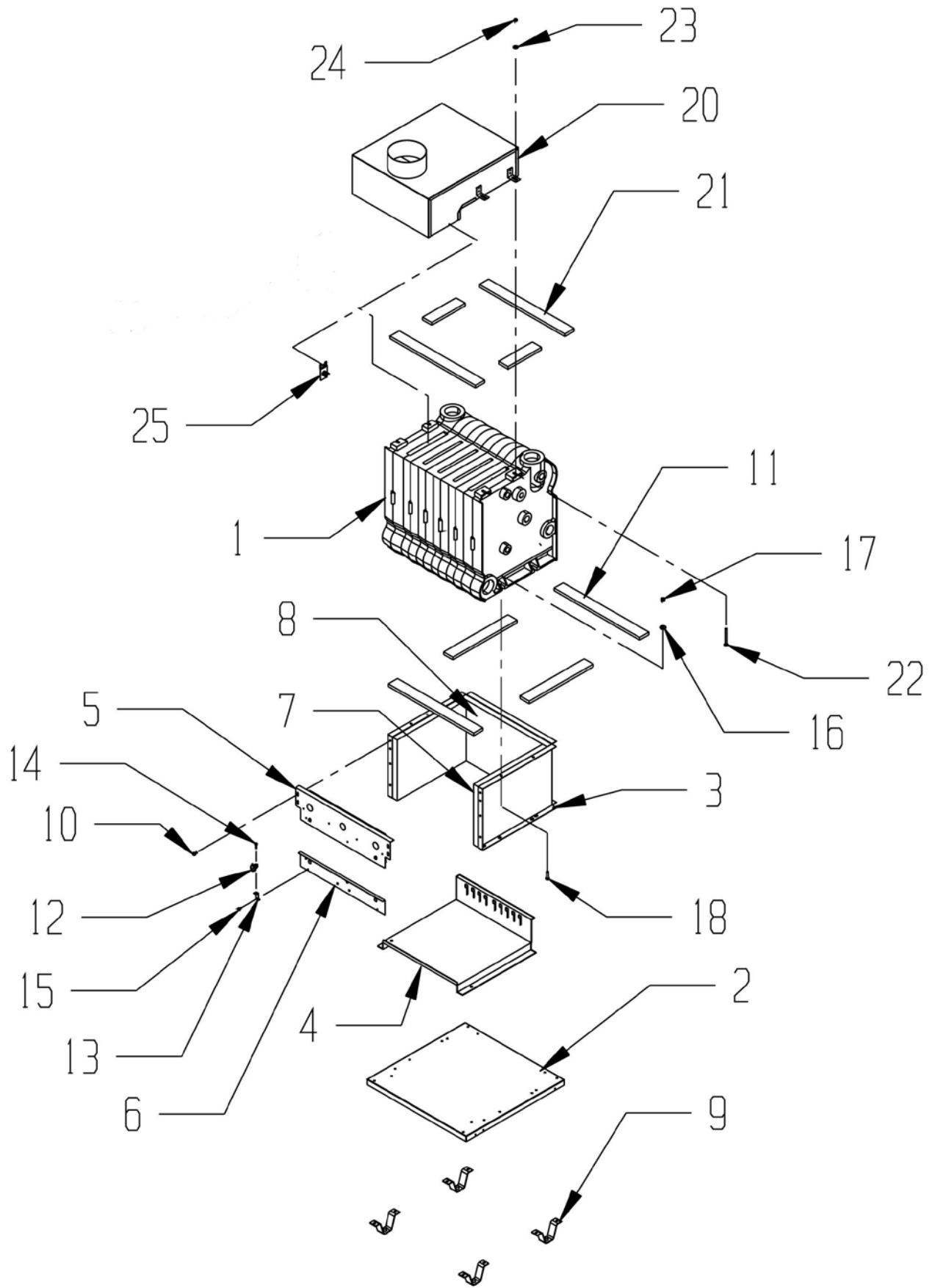
---

All FORCESTM™ Repair Parts may be obtained by contacting your local Ferguson branch.

## XIV. Repair Parts (continued)

Key No.	Description	Part No.	Quantity					
			FORCESTM03	FORCESTM04	FORCESTM05	FORCESTM06	FORCESTM07	FORCESTM08
1	Heat Exchanger Assembly (Complete)	617100321	1	---	---	---	---	---
		617100421	---	1	---	---	---	---
		617100521	---	---	1	---	---	---
		617100621	---	---	---	1	---	---
		617100721	---	---	---	---	1	---
		617100821	---	---	---	---	1	
2	Base Tray	718600391	1	---	---	---	---	---
		718600491	---	1	---	---	---	---
		718600591	---	---	1	---	---	---
		718600691	---	---	---	1	---	---
		718600791	---	---	---	---	1	---
		718600891	---	---	---	---	1	
3	Base Wrapper	718600311	1	---	---	---	---	---
		718600411	---	1	---	---	---	---
		718600511	---	---	1	---	---	---
		718600611	---	---	---	1	---	---
		718600711	---	---	---	---	1	---
		718600811	---	---	---	---	1	
4	Burner Tray	718600305	1	---	---	---	---	---
		718600405	---	1	---	---	---	---
		718600505	---	---	1	---	---	---
		718600605	---	---	---	1	---	---
		718600705	---	---	---	---	1	---
		718600805	---	---	---	---	1	
5	Base Front Panel Assembly (includes insulation)	618600341	1	---	---	---	---	---
		618600441	---	1	---	---	---	---
		618600541	---	---	1	---	---	---
		618600641	---	---	---	1	---	---
		618600741	---	---	---	---	1	---
		618600841	---	---	---	---	1	
6	Burner Access Panel	718600361	1	---	---	---	---	---
		718600461	---	1	---	---	---	---
		718600561	---	---	1	---	---	---
		718600661	---	---	---	1	---	---
		718600761	---	---	---	---	1	---
		718600861	---	---	---	---	1	
* Not Shown								

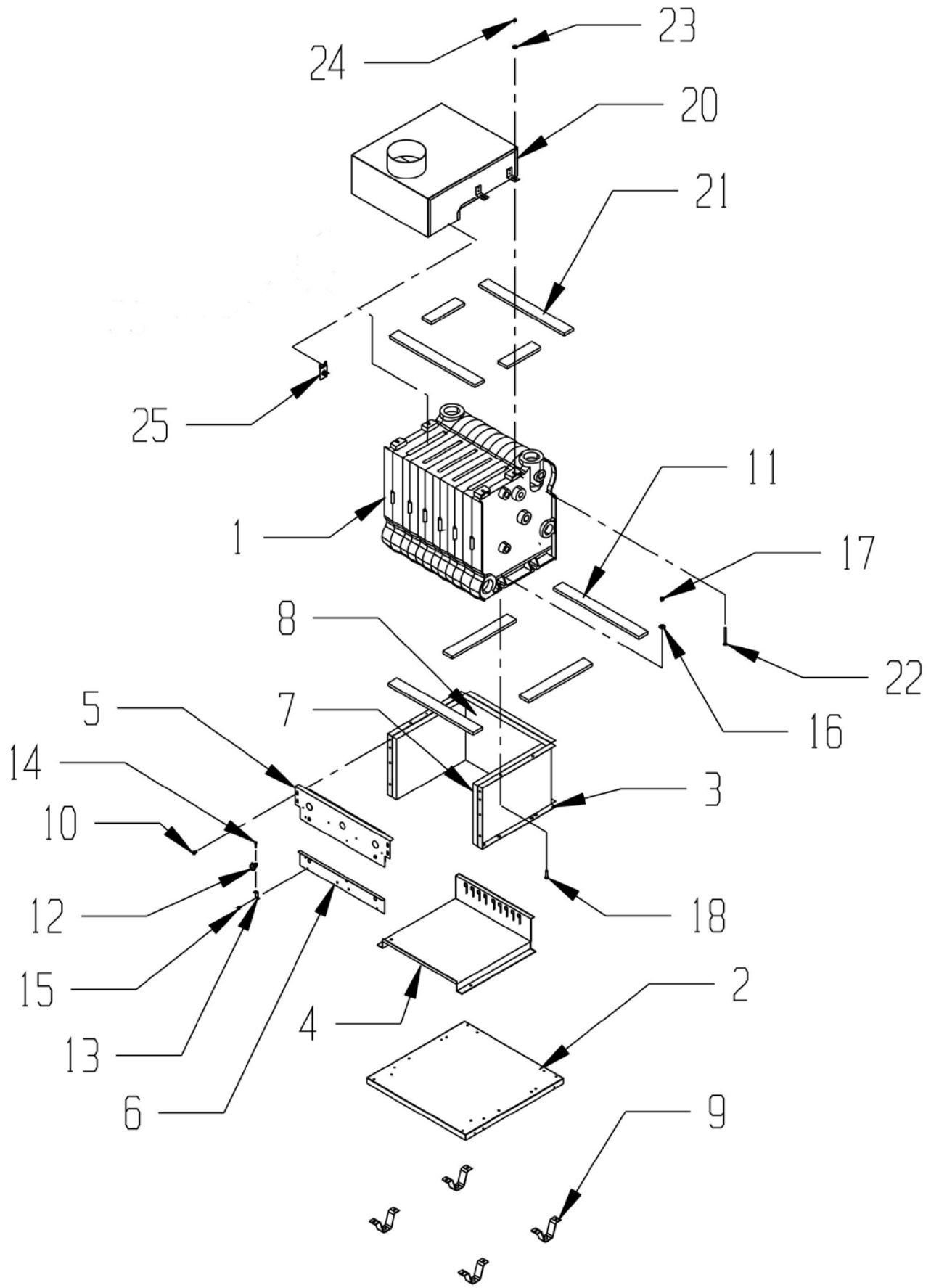
# XIV. Repair Parts (continued)



## XIV. Repair Parts (continued)

Key No.	Description	Part No.	Quantity					
			FORCESTM03	FORCESTM04	FORCESTM05	FORCESTM06	FORCESTM07	FORCESTM08
7	Base End Insulation	720601	2	2	2	2	2	2
8	Base Rear Insulation	72060035	1	---	---	---	---	---
		72060045	---	1	---	---	---	---
		72060055	---	---	1	---	---	---
		72060065	---	---	---	1	---	---
		72060075	---	---	---	---	1	---
		72060085	---	---	---	---	---	1
9	Base Leg Assembly	6186001	4	4	4	4	4	4
10	Screw, Self Tapping, Phillips Pan Head, 1/4 -20 x 1/2"	80860700	24	24	24	24	25	25
11	1/2" x 2" Sealing Strip	6206002	1	1	1	1	1	1
12	Flame Rollout Switch Bracket Assembly	80160044	1	1	1	1	1	1
13	Flame Rollout Switch Bracket	7186018	1	1	1	1	1	1
14	#8 x 3/4" Self Tapping Screw	80860030	1	1	1	1	1	1
15	#10 x 1/2" Sheet Metal Screw	808600492	2	2	2	2	2	2
16	Washer, 5/16, USS	80860611	4	4	4	4	4	4
17	Hex Lock Nut, 5/16 -18	80860464	4	4	4	4	4	4
18	Screw, Self Tapping, Type F, Hex Head, 5/16 -18 x 1-1/4", Plated	80860717	4	4	4	4	4	4
20	Draft Diverter	611191032	1	---	---	---	---	---
		611191042	---	1	---	---	---	---
		611191052	---	---	1	---	---	---
		611191062	---	---	---	1	---	---
		611191072	---	---	---	---	1	---
		611191082	---	---	---	---	---	1
21	1/2" x 1" Sealing Strip	6206001	1	1	1	1	1	1
22	1/4-20 x 1-1/4" Carriage Bolt	80860115	4	4	4	4	4	4
23	1/4" USS Flat Washer	80860603	4	4	4	4	4	4
24	1/4-20 Hex Nut	80860407	4	4	4	4	4	4
25	Blocked Vent Switch	60160581	1	---	---	---	---	---
		104962-02	---	1	1	1	1	1

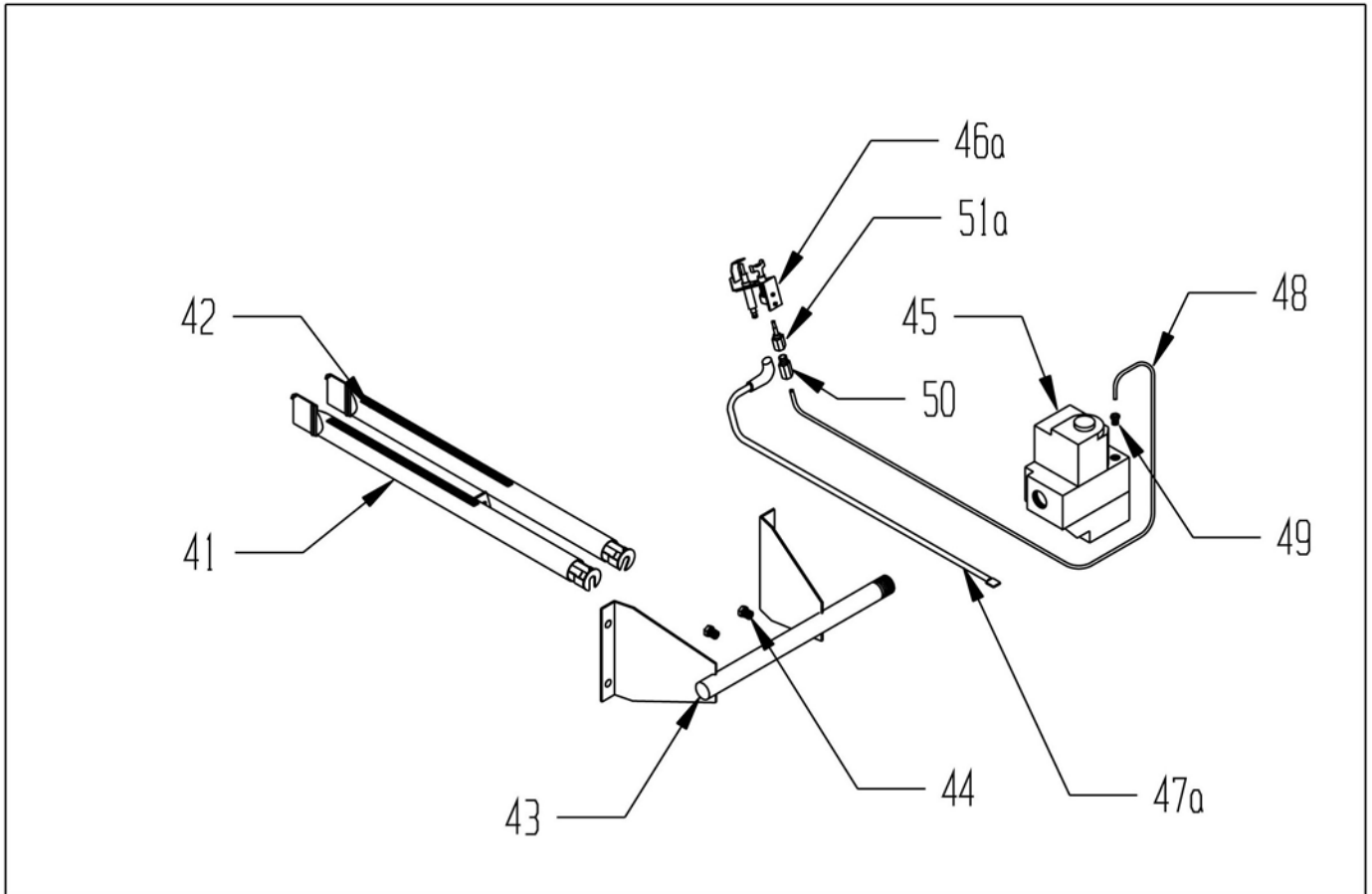
# XIV. Repair Parts (continued)



## XIV. Repair Parts (continued)

Key No.	Description	Part No.	Quantity					
			FORCESTM03	FORCESTM04	FORCESTM05	FORCESTM06	FORCESTM07	FORCESTM08
41	Main Burner with Pilot Bracket	8236118	1	1	1	1	1	1
42	Main Burner Less Pilot Bracket	8236119	2	4	6	8	11	13
43	Manifold	104810-03	1	---	---	---	---	---
		104810-04	---	1	---	---	---	---
		104810-05	---	---	1	---	---	---
		104810-06	---	---	---	1	---	---
		104810-07	---	---	---	---	1	---
		104810-08	---	---	---	---	---	1
44	Nat. Gas Main Burner Orifice, #44 Orange	822712	3	---	---	---	---	---
	Nat. Gas Main Burner Orifice, #45	822711	---	5	7	---	---	---
	Nat. Gas Main Burner Orifice, #46	822731	---	---	---	9	---	---
	Nat. Gas Main Burner Orifice, #48	822726	---	---	---	---	12	14
	LP Gas Main Burner Orifice, #54	822734	3	---	---	---	---	---
	LP Gas Main Burner Orifice, #55 Green	822708	---	5	7	---	---	---
	LP Gas Main Burner Orifice, 1.25 mm, Purple	822705	---	---	---	9	12	14
45	Gas Valve (Nat. Gas), Honeywell VR8204C3007	81660145	1	1	1	1	---	---
	Gas Valve (Nat. Gas), Honeywell VR8304P4306	81660161	---	---	---	---	1	1
	Gas Valve (LP Gas), Honeywell VR8204C3015	81660146	1	1	1	1	---	---
	Gas Valve (LP Gas), Honeywell VR8304P4314	81660160	---	---	---	---	1	1
46a	Pilot Assembly (Nat. Gas), Honeywell Q348A1275	104830-01	1	1	1	1	1	1
	Pilot Assembly (LP Gas), Honeywell Q348A1259	105800-01	1	1	1	1	1	1
47a	Igniter/Sensor Cable, 25", Honeywell 394800-25	104831-01	1	1	1	1	1	---
	Igniter / Sensor Cable, 30", Honeywell 394800-30	104831-02	---	---	---	---	---	1
48	Pilot Tubing, 1/4" OD x 30"	8236122	1	1	1	1	1	---
	Pilot Tubing, 1/4" OD x 40"	8236123	---	---	---	---	---	1
49	1/4 Short Ferrule (included with Gas Valve)	---	1	1	1	1	1	1
50	1/4 Long Ferrule (included with Pilot Assembly) Honeywell 386449-4	105136-01	1	1	1	1	1	1
51a	KF24 Pilot Orifice (Q348 Pilot Nat. Gas) - included with Pilot Assembly	---	1	1	1	1	1	1
	K16 Pilot Orifice (Q348 Pilot LP Gas) - included with Pilot Assembly	---	1	1	1	1	1	1
*	Pilot Ground Wire	6136054	1	1	1	1	1	1

#### XIV. Repair Parts (continued)

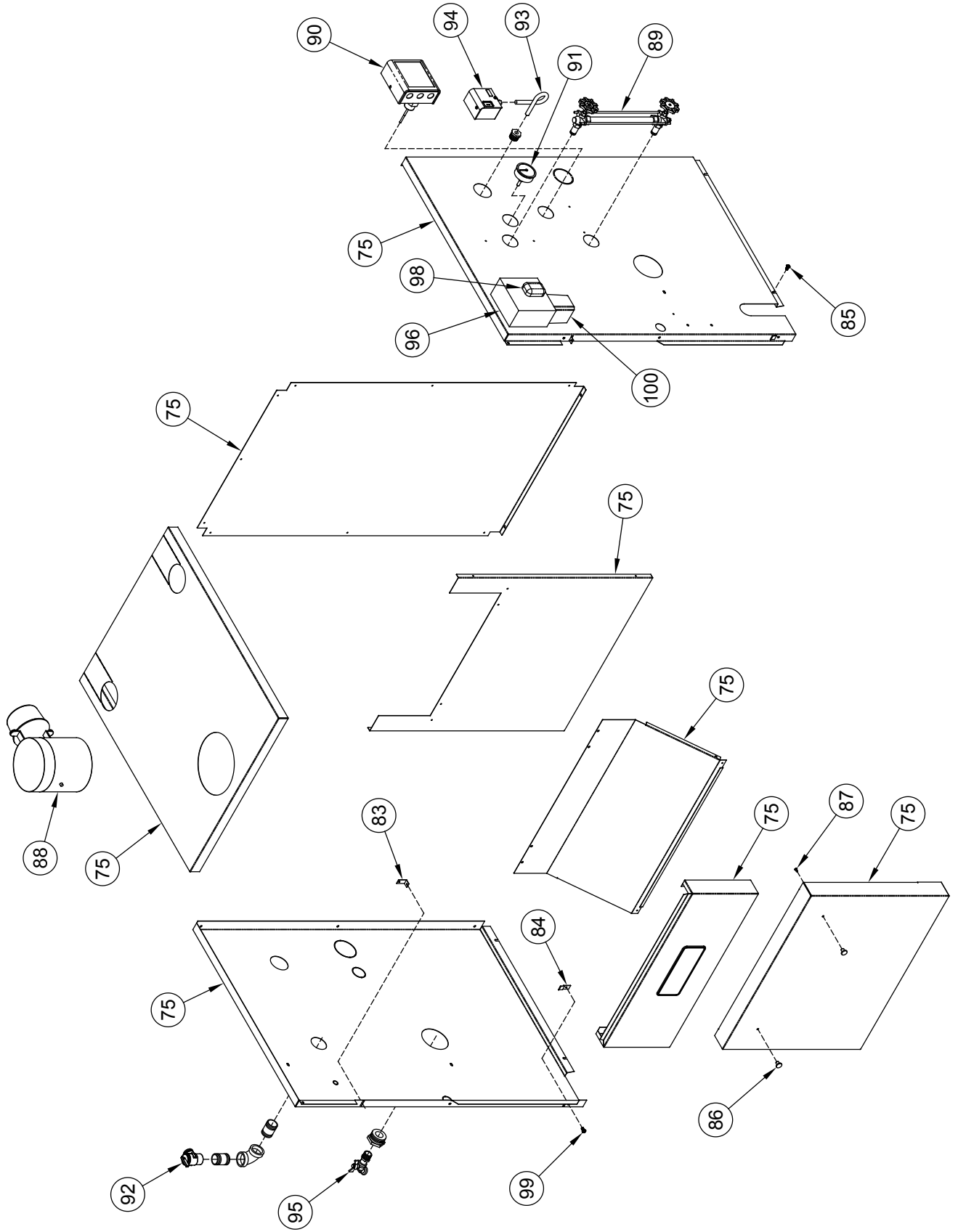


## XIV. Repair Parts (continued)

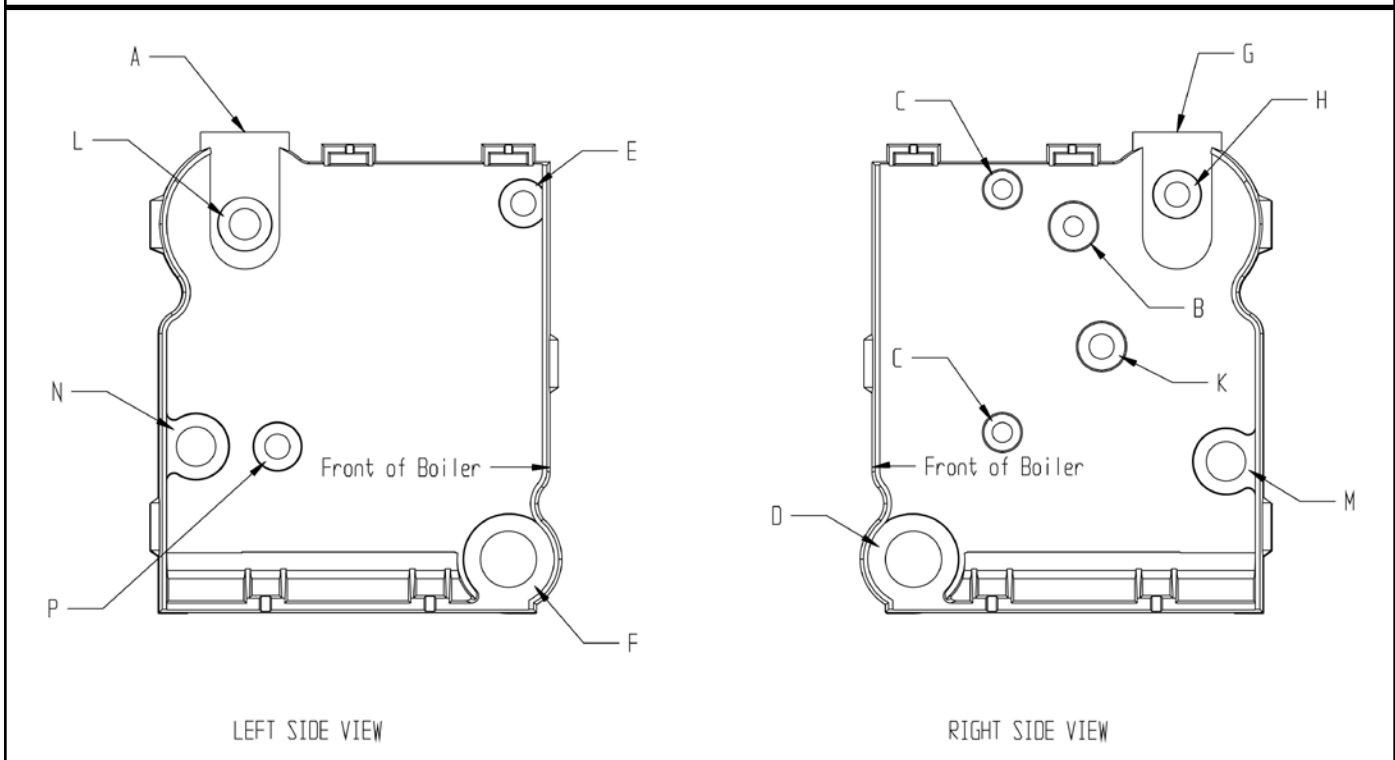
Key No.	Description	Part Number	Quantity						
			FORCESTM03	FORCESTM04	FORCESTM05	FORCESTM06	FORCESTM07	FORCESTM08	
*	Damper Wire Harness	105083-01	1	1	1	1	1	1	
*	Blocked Vent Switch Harness	104965-01	1	1	1	1	1	1	
*	J-Box FRS Harness	105084-01	1	1	1	1	1	1	
*	CG400A L.W.C.O - J-Box Harness	105085-01	1	1	1	1	1	1	
*	Pressure Limit - J-Box Harness	105086-01	1	1	1	1	1	1	
*	Intermittent Ignition Harness	104832-01	1	1	1	1	1	1	
75	Complete Jacket Set	106442-03	1	---	---	---	---	---	
		106442-04	---	1	---	---	---	---	
		106442-05	---	---	1	---	---	---	
		106442-06	---	---	---	1	---	---	
		106442-07	---	---	---	---	1	---	
		106442-08	---	---	---	---	---	1	
*	Ignition Module, UTEC 1003-664A	104829-01	1	1	1	1	1	1	
*	Ignition Module Support Bracket	7016001	1	1	1	1	1	1	
88	Vent Damper	4"	102284-01	1	---	---	---	---	---
		5"	102284-02	---	1	---	---	---	---
		6"	102284-03	---	---	1	1	---	---
		7"	102284-04	---	---	---	---	1	1
89	Gauge Glass, Extended Shank	8056128	1	1	1	1	1	1	
90	Low Water Cutoff, Hydrolevel CG400A-2090 (includes Probe)	104975-01	1	1	1	1	1	1	
*	Probe for CG400A	80160629	1	1	1	1	1	1	
91	Pressure Gauge	100325-01	1	1	1	1	1	1	
92	Safety Valve, 3/4 NPT, 15 psi, Conbraco 13-511-08	81660530	1	1	1	1	1	1	
93	90° Syphon	104959-01	1	1	1	1	1	1	
94	Pressure Limit, Honeywell L404F1367	80160369	1	1	1	1	1	1	
95	3/4" Boiler Drain	102802-01	1	1	1	1	1	1	
96	Junction Box, 4-11/16" x 4-11/16" x 2-1/8"	81361761	1	1	1	1	1	1	
*	Transformer/J-Box Adapter Plate	7011001	1	1	1	1	1	1	
98	24V Transformer (AT140D1012)	80160039	1	1	1	1	1	1	
99	8-32 X 1/2" Self Tapping Screw	80860019	2	2	2	2	2	2	
100	SPST Relay (R8225B1049)	61319040	1	1	1	1	1	1	



# XIV. Repair Parts (continued)



## Appendix A - Tapping Locations



**FIGURE A1: TAPPING LOCATIONS (SEE TEXT FOR TAPPING USES)**

**TABLE A1: TRIM AND CONTROL INSTALLATION IN SECTION TAPPINGS**

Tapping	Size (NPT)	Steam Boiler with Probe LWCO
A	2	Supply
B	½	Bush to ¼ Pressure Gauge
C	½	Gauge Glass
D	2	Return
E	¾	3" Nipple & Street Elbow Safety Relief Valve
F	2	Bush to ¼ Drain Valve and/or Optional Return
G	2	Optional Supply (FORCESTM03 - FORCESTM06) Required Supply (FORCESTM07 - FORCESTM08)
H	¾	Bush to ¼ & Syphon, Limit
J	¾	Not Applicable
K	¾	Low Water Cutoff
L	1	Surface Blow-Off
M	1¼	Factory Plugged Link SL™ Return
N	1¼	Factory Plugged Link SL™ Supply
P	¾	Factory Plugged Link SL™ Limit



